



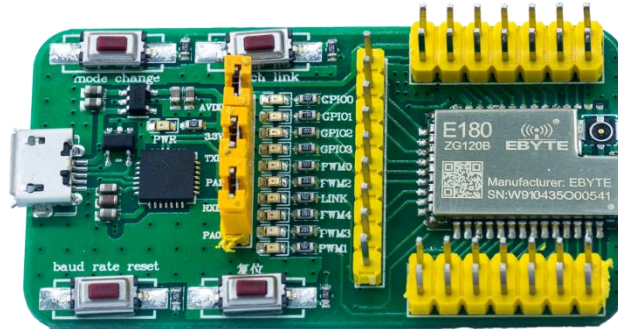
# **E180-ZG120B-TB User Manual**



## Content

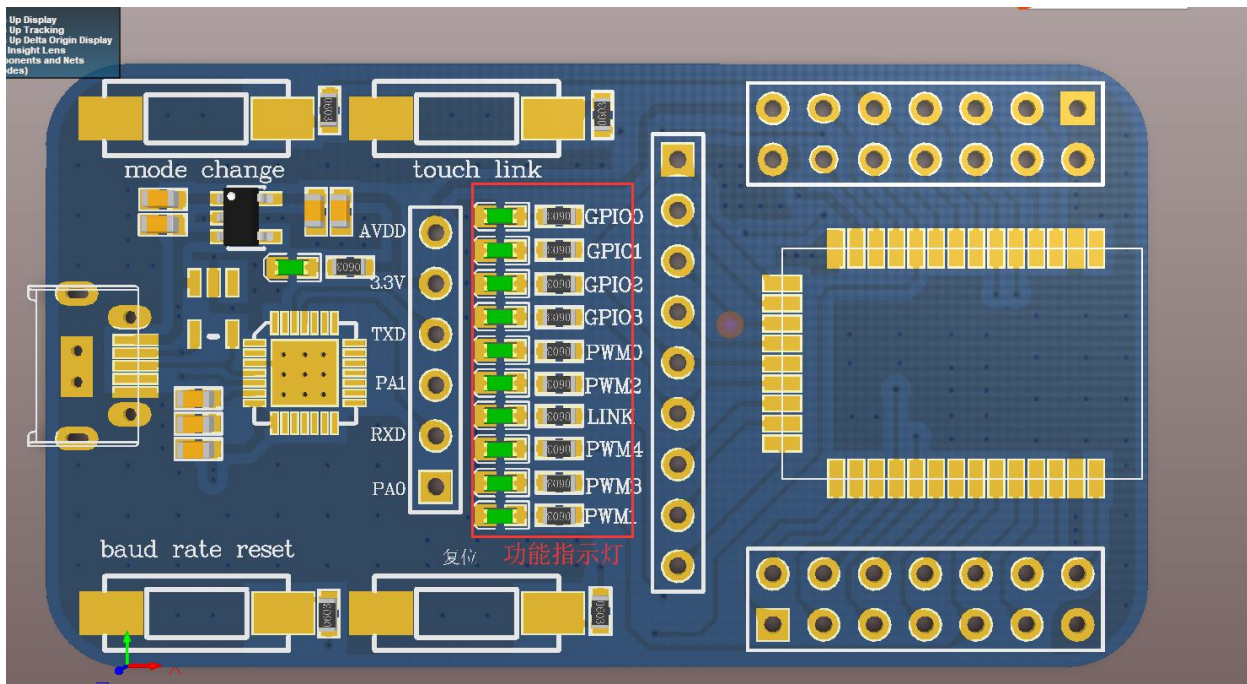
1. Module introduction.....	2
2. Instruction.....	2
3. Drive installation.....	4
About us.....	4

# 1. Module introduction



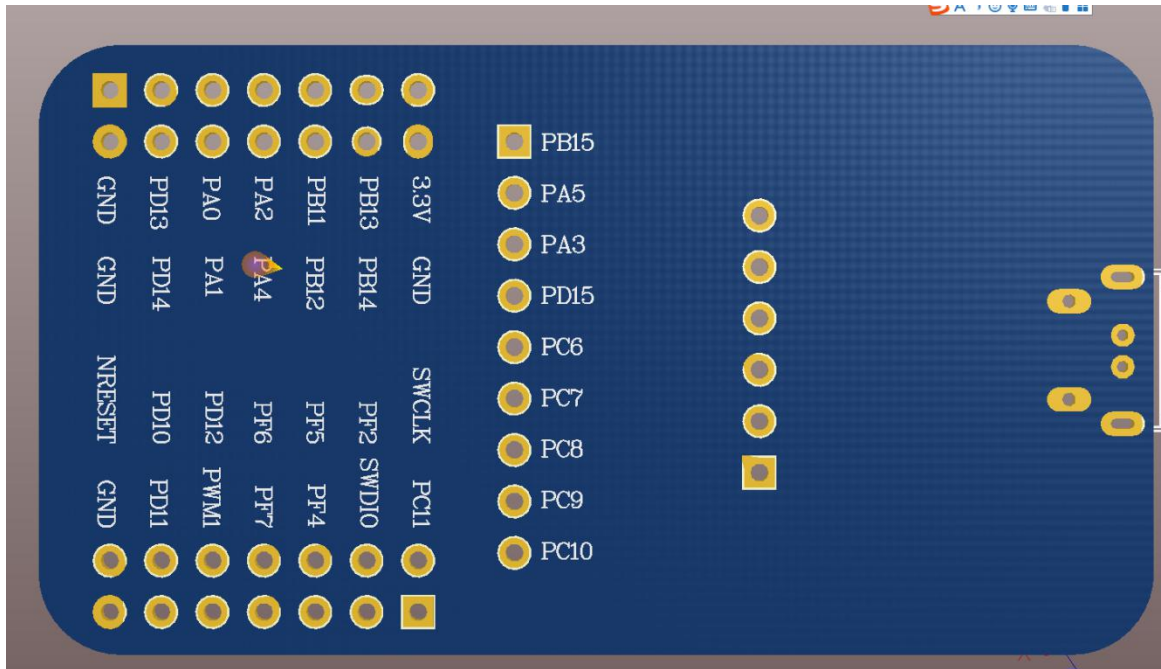
- E180-ZG120B-TB has been pre-welded for testing Chengdu Ebyte E180-ZG120B, please refer to the module manual for detailed use.
- All IO of E180 series wireless modules have been exported.
- With CP2102G serial chip, serial communication can be developed.
- With USB interface, can be directly plugged into the computer for use.
- Users can access external power supply and serial port by themselves.
- Stable work and easy to develop.

# 2. Instruction



Description:

No.	Pin	Description
1	AVDD	Module power port, 3.3V power supply is recommended
2	3.3V	Baseboard LDO output 3.3V, can supply power to the module
3	TXD	TXD of cp2102
4	RXD	RXD of cp2102
5	PA1	RXD of the module
6	PA0	TXD of the module



No.	Name	Direction	Function
1	GND	-	Ground, connected to power supply reference ground
2	GND	-	Ground, connected to power supply reference ground
3	PD13	Input	TOUCHLINK pin, which is continuously pulled lower than 3000ms, will initiate a ZLL network establishment or join request
4	PD14	Input	WAKE pin is mainly used to wake up the sleep terminal. It is high level when powered on. When the pin is pulled low externally, the sleep terminal device will be woken
5	PA0(TX)	Output	Serial port transmission port TX
6	PA1(RX)	Input	Serial port receiving port RX
7	PA2	Input/Output	Reserve
8	PA4	Input/Output	Reserve
9	PB11	Input	Operating mode switching pin. When the pull-low time is longer than 500ms, the operating mode is switched.
10	PB12	Input	UART_BAUD_RESET pin is used to reset the device baud rate. The power-on default is high level. In any mode, if this pin is pulled lower for more than 1000ms, the serial port parameters of the module will be restored to the default 115200.
11	PB13	Output	ACK pin is used to indicate the last user data transmission status. This pin is pulled low before the transmission is started, and the pin is pulled high after the transmission.
12	PB14(GPIO0)	Input/Output	GPIO Input/ Output port 0
13	3.3V	-	Module power supply positive reference voltage, voltage range
14	GND	-	Ground, connected to power supply reference ground

15	PB15(GPIO1)	Input/Output	GPIO Input/ Output port 1
16	PA5	Input/Output	Reserve
17	PA3	Input/Output	Reserve
18	PD15	Output	AUX pin indicates the current working status of the device. When the pin is low level, it indicates that the device is busy, and high level indicates that the device is idle.
19	PC6(GPIO2)	Input/Output	GPIO Input/ Output port 2
20	PC7(GPIO3)	Input/Output	GPIO Input/ Output port 3
21	PC8(ADC1)	Input	ADC detection port 1
22	PC9(ADC2)	Input	ADC detection port 2
23	PC10(ADC3)	Input	ADC detection port 3
24	PC11(ADC4)	Input	ADC detection port 4
25	SWCLK	Input/Output	DBG_SWCLKTCK
26	SWDIO	Input/Output	DBG_SWDIOTMS
27	PF2(PWM0)	Output	PWM output port 0
28	PF4(PWM2)	Output	PWM output port 2
29	PF5(PWM3)	Output	PWM output port 3
30	PF7	Output	The LINK pin indicates the current network status of the module, output high level meter has been added to the network.
31	PF6(PWM4)	Output	PWM output port 4
32	PF3(PWM1)	Output	PWM output port 1
33	PD12	Input/Output	Reserve
34	PD11	Input/Output	Reserve
35	PD10	Input/Output	Reserve
36	GND	Input/Output	Ground, connected to power supply reference ground
37	nRESET	Input	Reset pin

### 3. Drive installation

The CP2102 chip is used as the serial port. Please download and use the driver software provided by our company. After installation, the serial port can be identified in the device manager.

### About us

Sales hotline: 4000-330-990

Tel: 028-61399028

Support: [support@cdebyte.com](mailto:support@cdebyte.com)

Website: [www.ebyte.com](http://www.ebyte.com)

Address: Innovation Center B333~D347, 4# XI-XIN road, High-tech district (west), Chengdu, Sichuan, China



**Chengdu Ebyte Electronic Technology Co.,Ltd.**