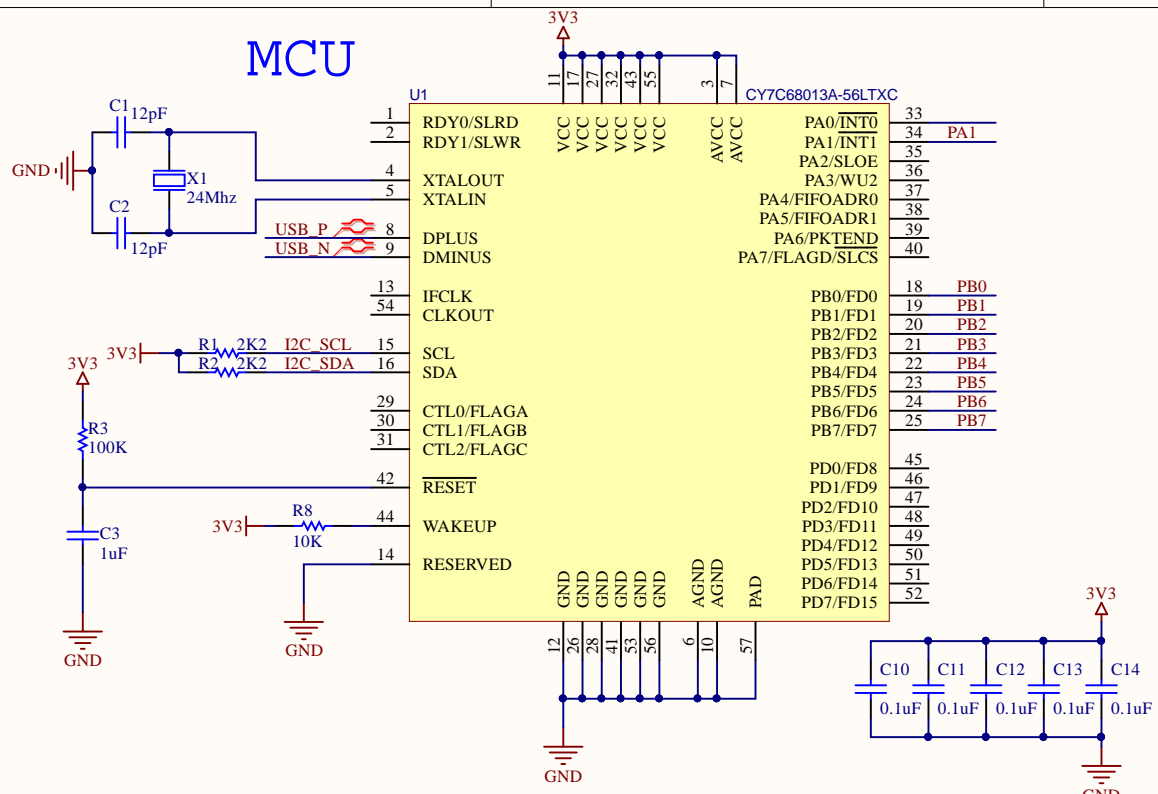
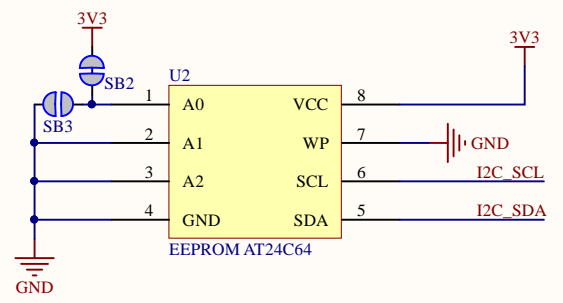


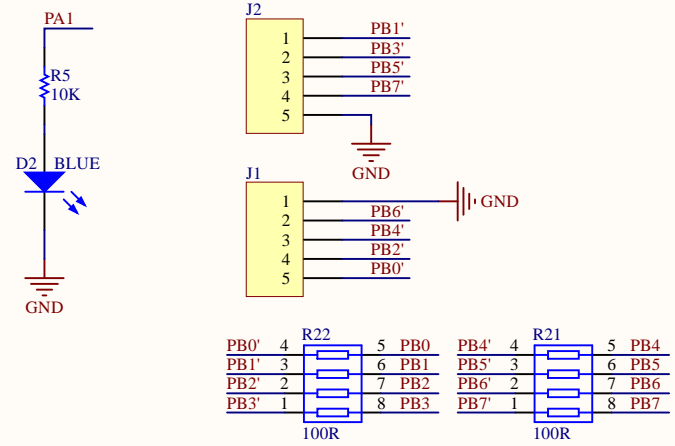
MCU



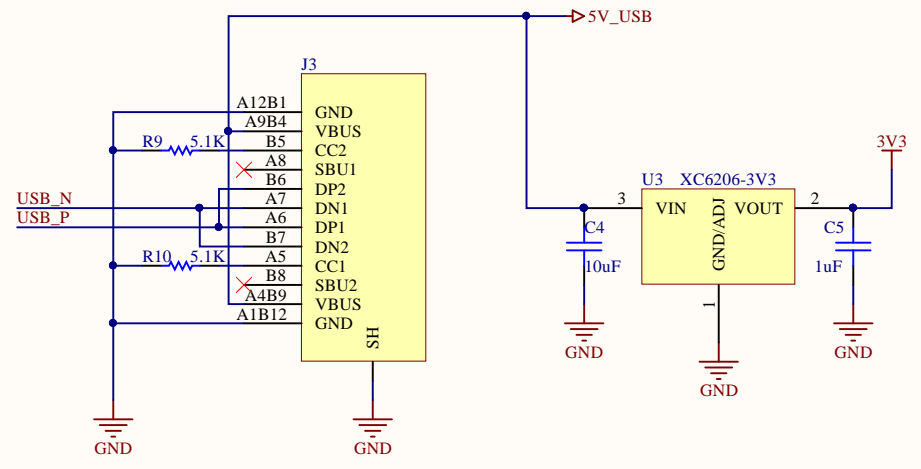
EEPROM



HEADER



POWER



Title		
Size	Number	Revision
A4		
Date:	2021/5/23	Sheet of
File:	F:\private\...\nanoDLA.SchDoc	Drawn By: