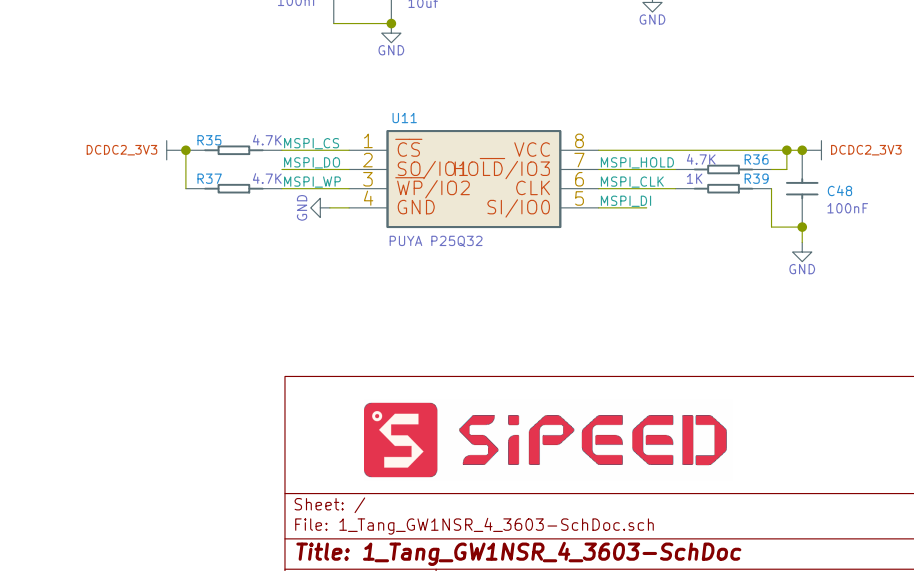
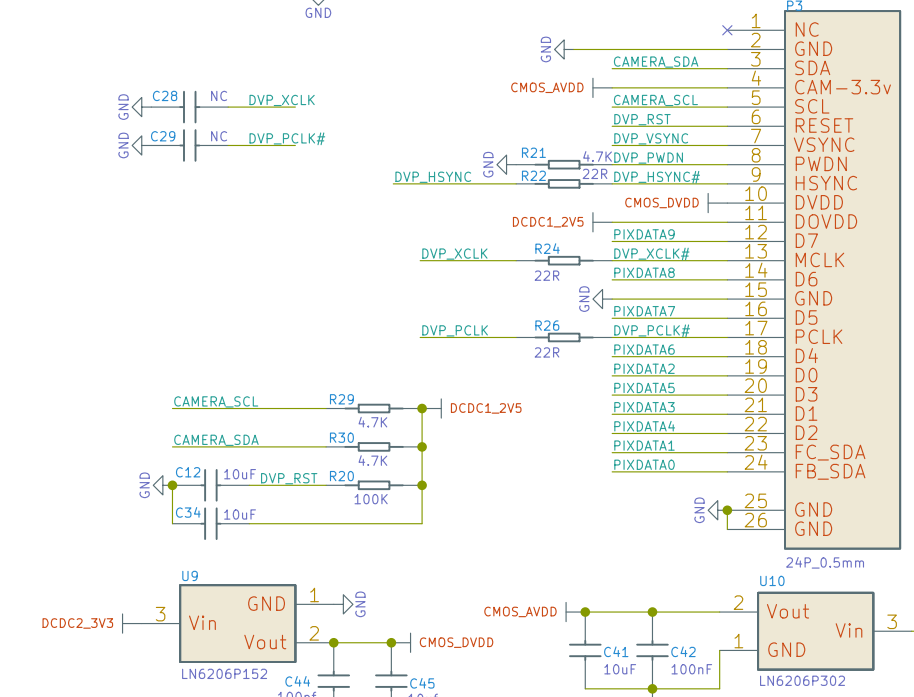
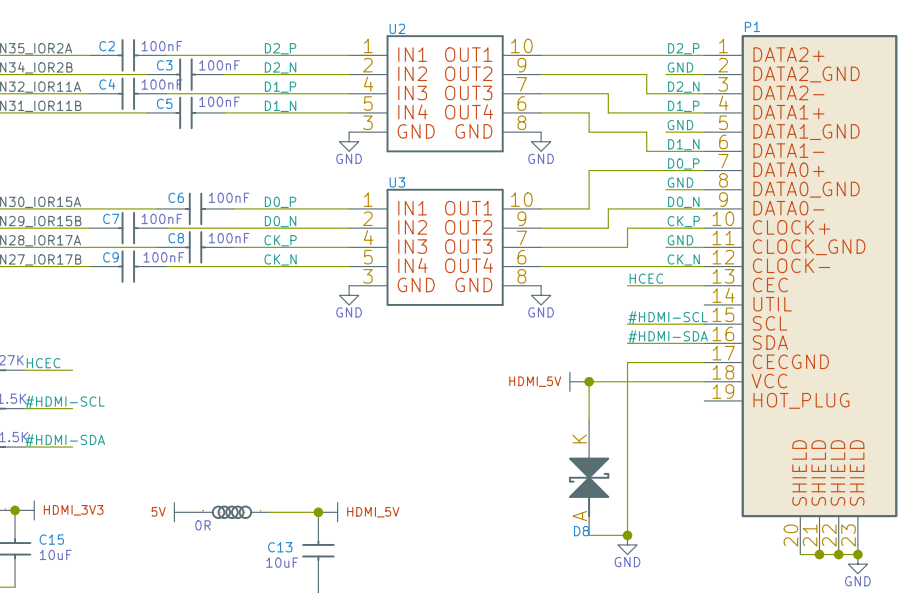
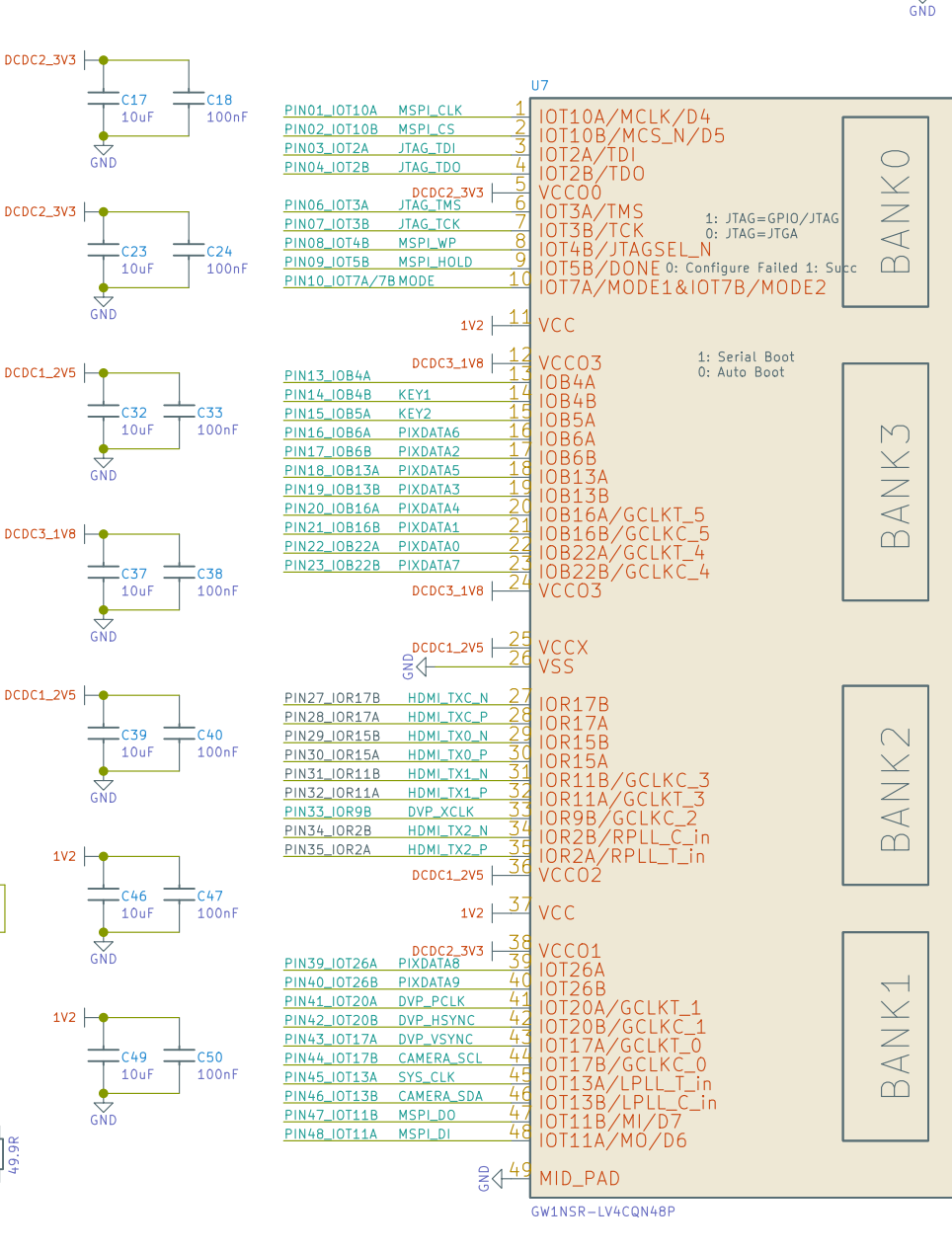
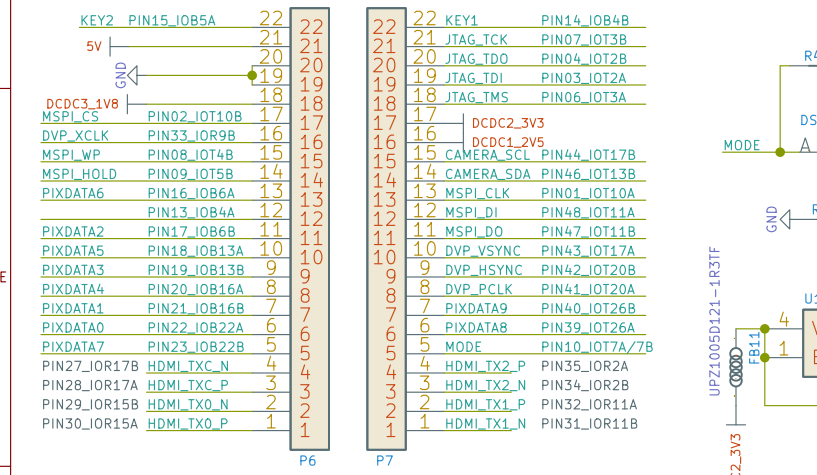
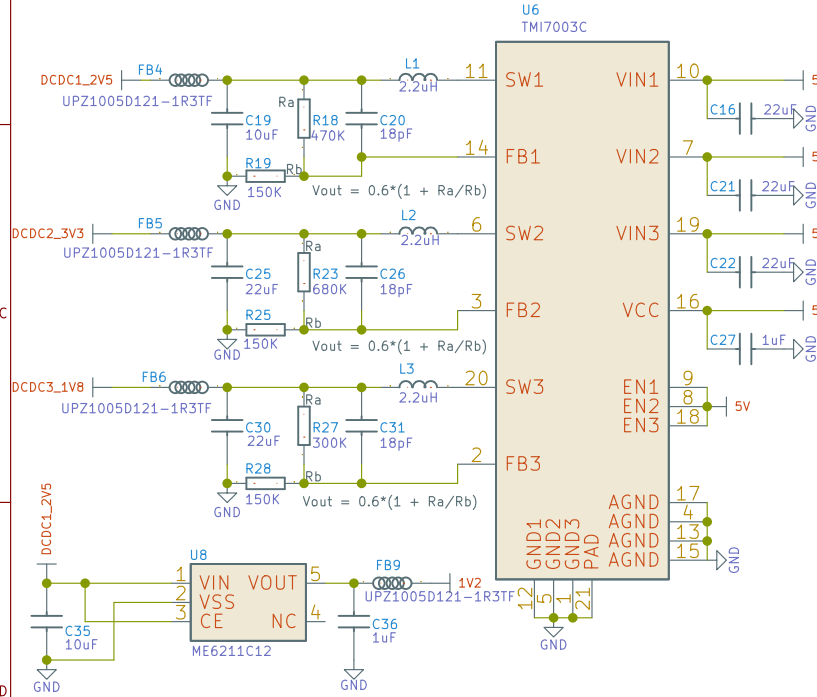
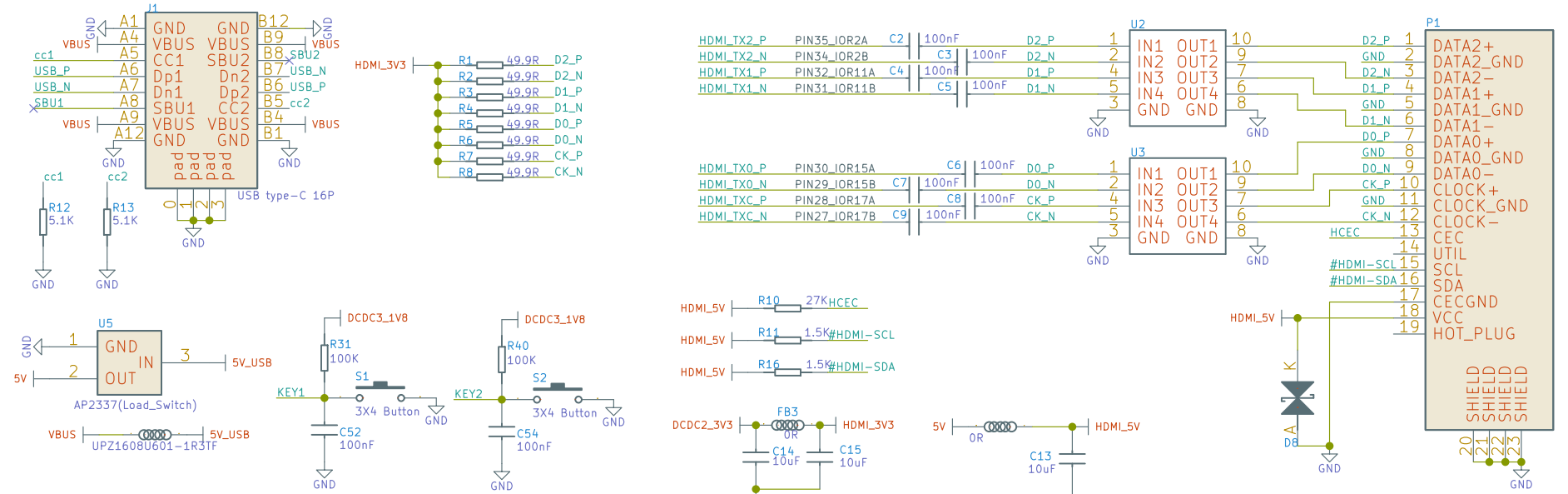


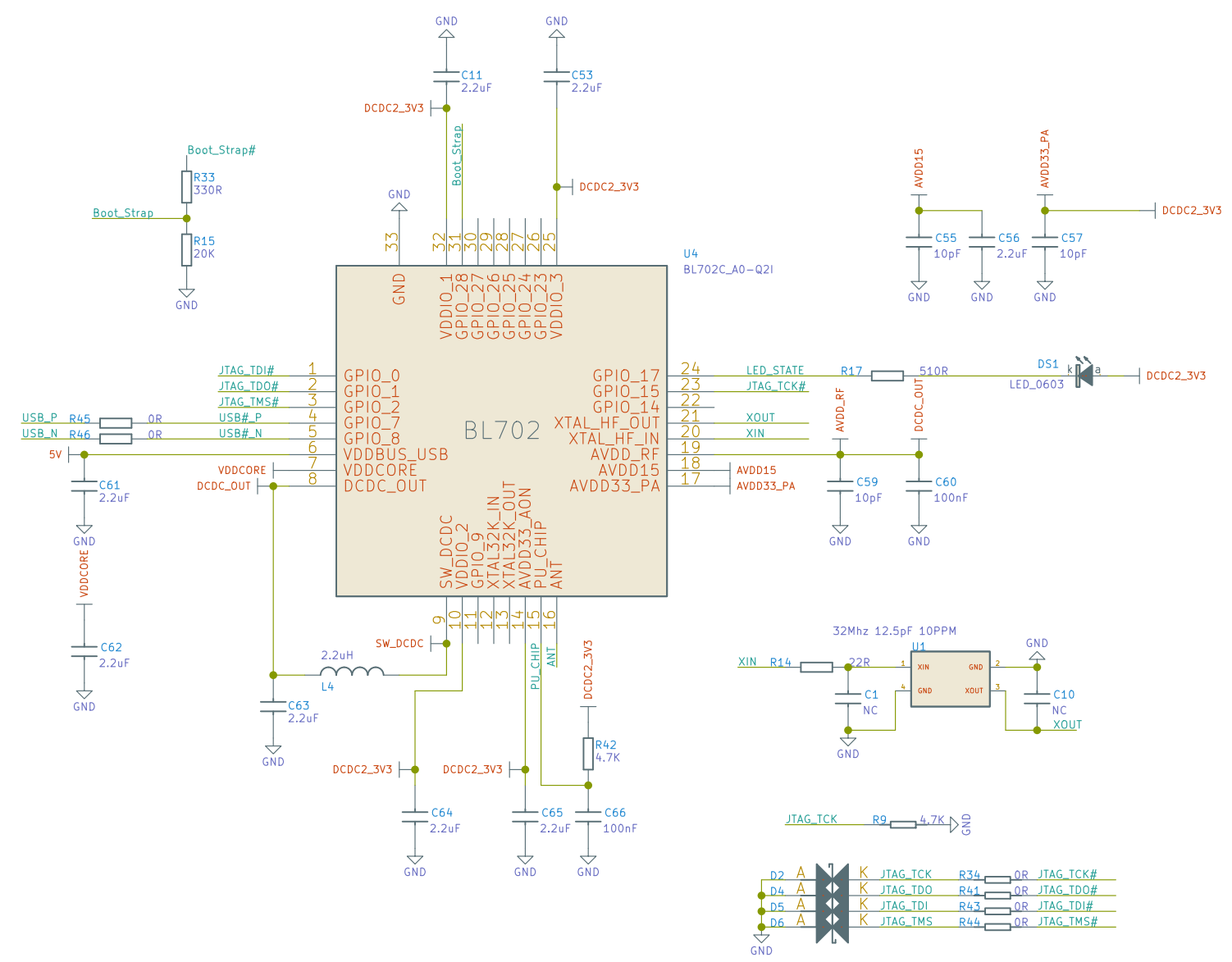
# Tang Nano 4K

## Revision History

Version	Date	Change Note
3603	2021/8/5	First edition



Sheet: /  
File: 1\_Tang\_GW1NSR\_4\_3603-SchDoc.sch  
**Title: 1\_Tang\_GW1NSR\_4\_3603-SchDoc**  
Size: B Date: 2021-08-11 Rev:  
KiCad E.D.A. eeschema (5.1.6)-1 Id: 1/1



Sheet: /		
File: 2_BL702-SchDoc.sch		
<b>Title: 2_BL702-SchDoc</b>		
Size: B	Date: 11 08 2021	Rev:
KiCad E.D.A. eeschema (5.1.6)-1		Id: 1/1