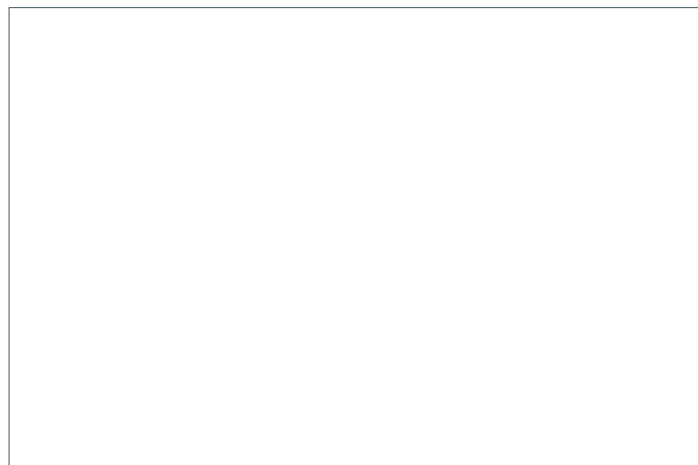


Tang Nano 20K

Revision History

Version	Date	Change Note
3850	2022/12/24	Original edition
3920	2023/02/22	Shorten PCB width to 888mil Changed pin assignment of BL616.
3921	2023/03/27	Fix some Silkscreen issues First public release version.

GW2AR-18



File: MAIN.kicad_sch



Sheet: /

File: Tang_Nano_20K_3921.kicad_sch

Title: Tang_Nano_20K_3921_Schematics

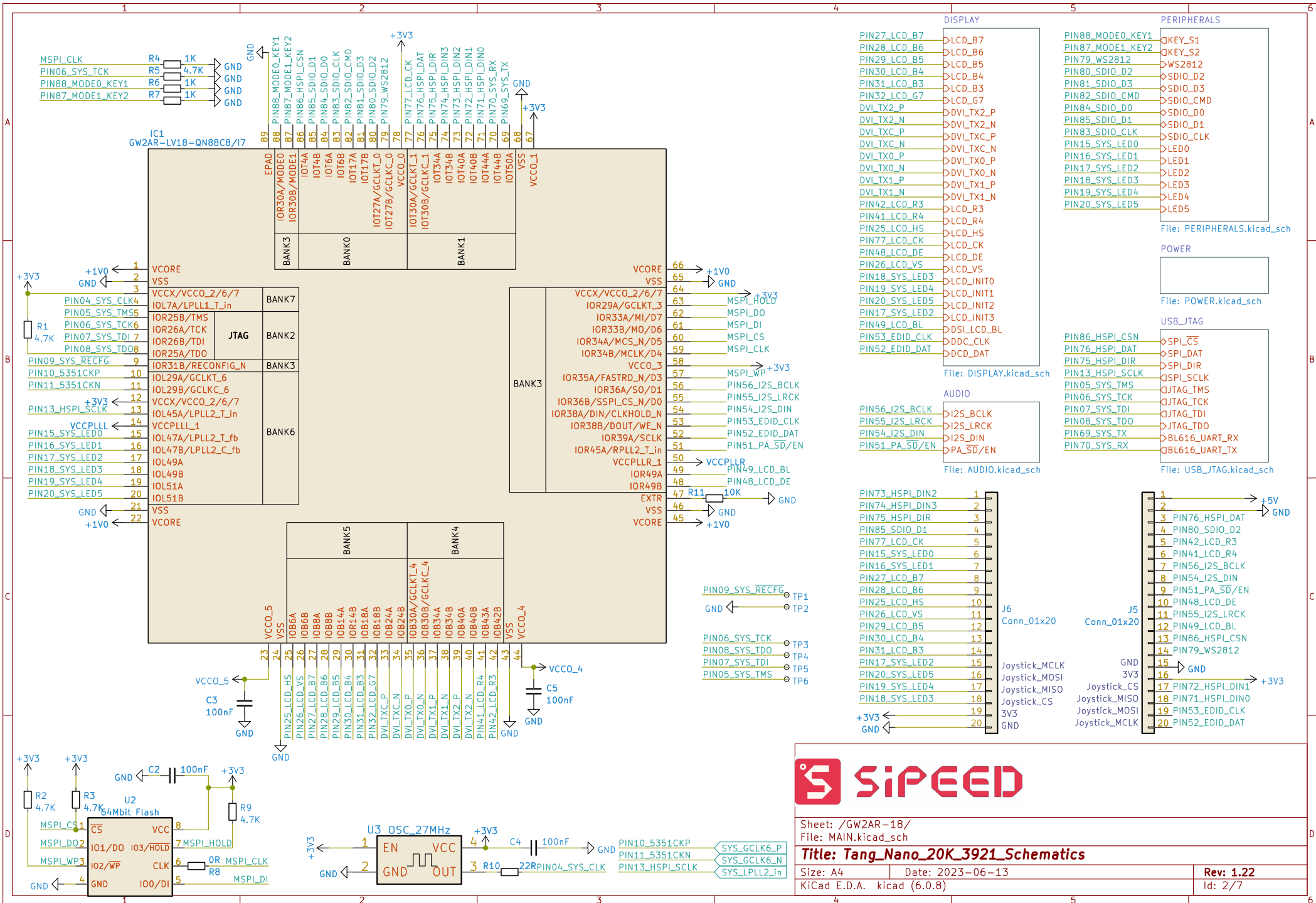
Size: A4

Date: 2023-06-13

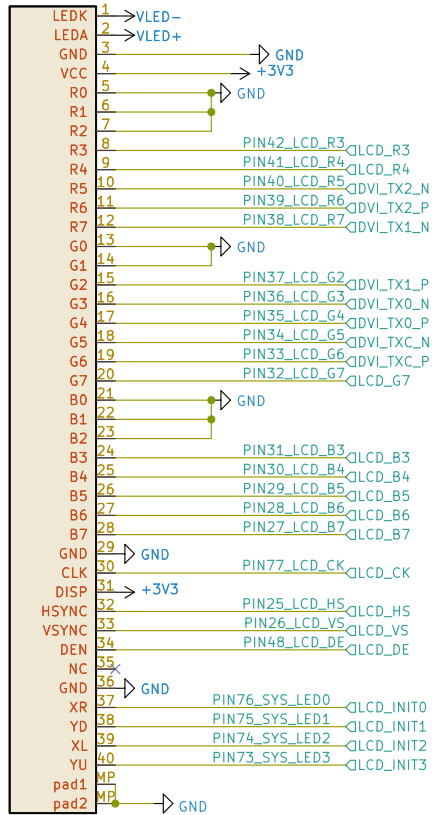
Rev: 1.22

KiCad E.D.A. kicad (6.0.8)

Id: 1/7

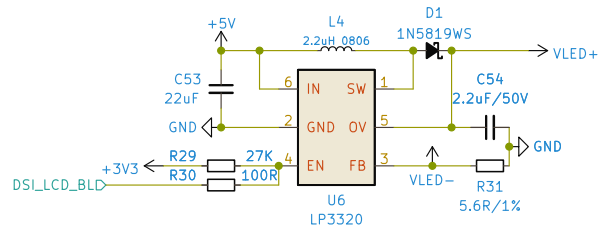


RGB LCD

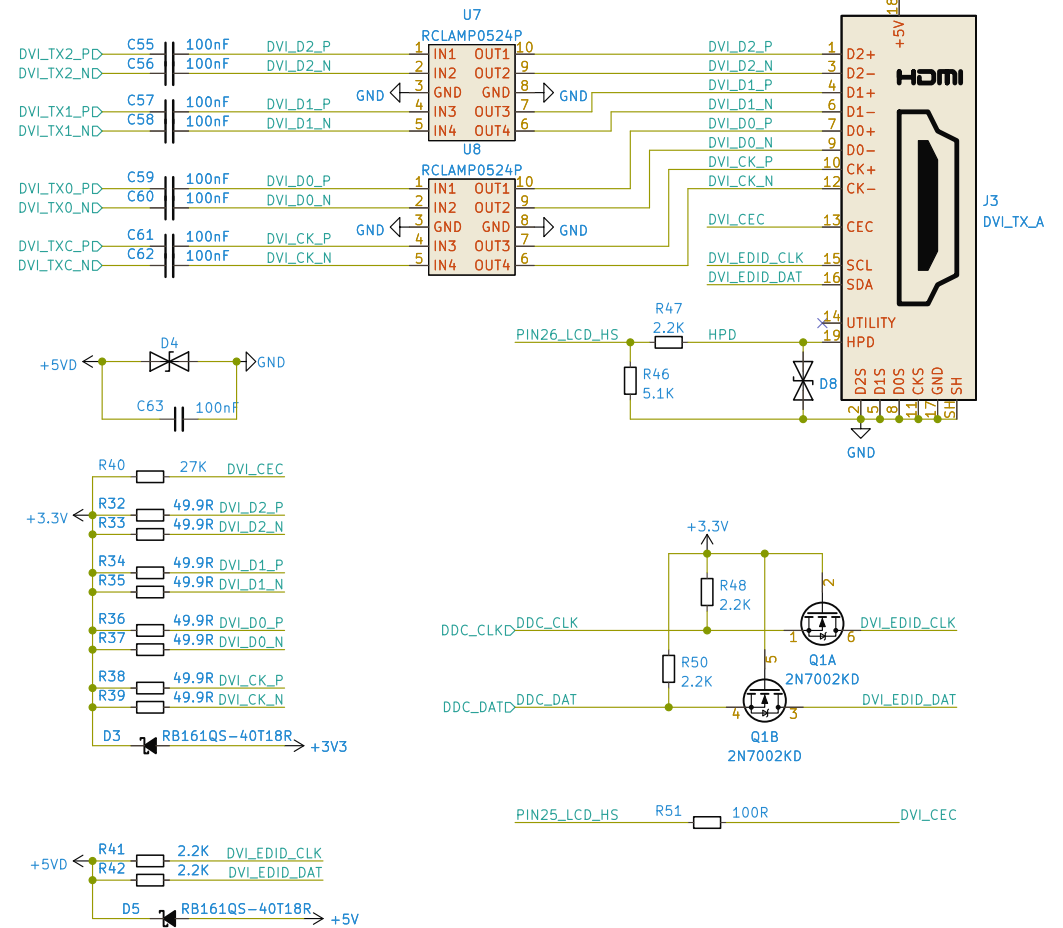


FPC-40-0.5mm

LCD BACKLIGHT



DVI TX



Sheet: /GW2AR-18/DISPLAY/
File: DISPLAY.kicad_sch

Title: Tang_Nano_20K_3921_Schematics

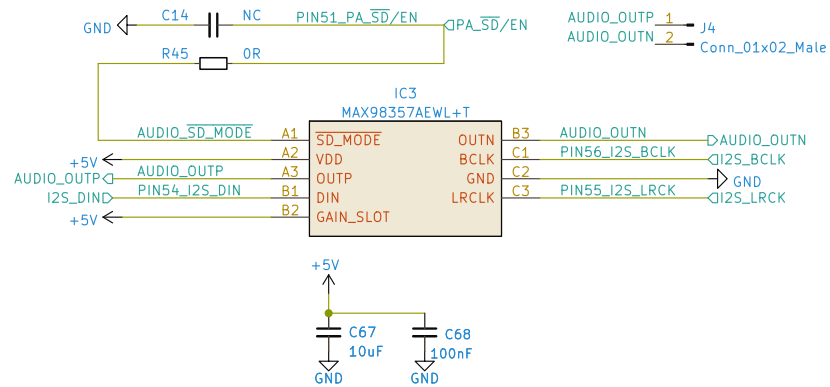
Size: A4 Date: 2023-06-13

KiCad E.D.A. kicad (6.0.8)

Rev: 1.22

Id: #/7

DAC + Audio PA



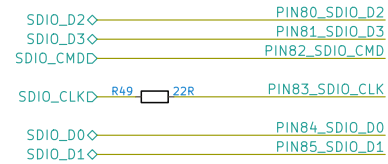
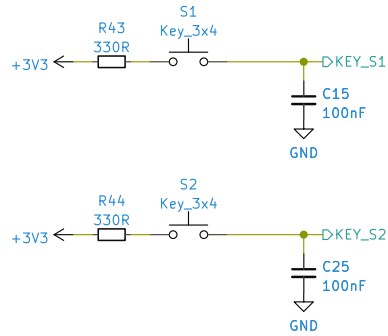
Sheet: /GW2AR-18/AUDIO/
File: AUDIO.kicad_sch

Title: Tang_Nano_20K_3921_Schematics

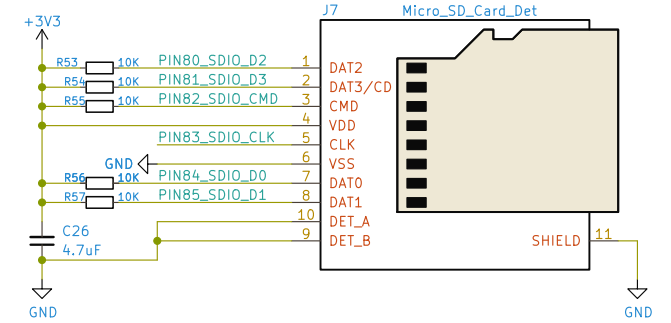
Size: A4 Date: 2023-06-13
KiCad E.D.A. kicad (6.0.8)

Rev: 1.22
Id: #77

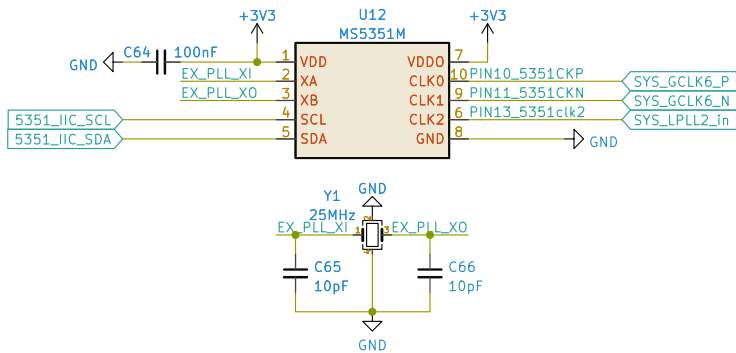
Button x 2



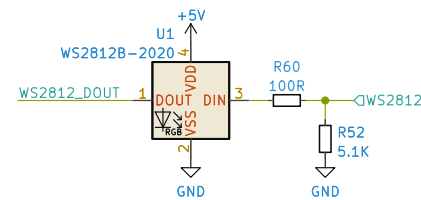
MICRO SD CARD



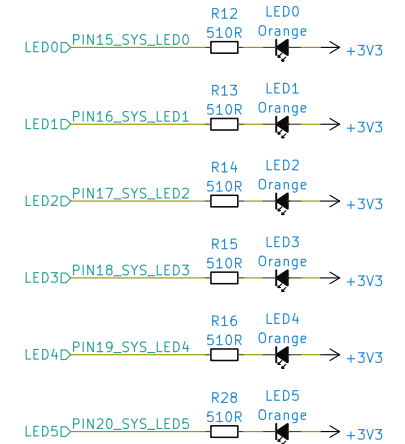
AUX_PLL



WS2812



LED



Sheet: /GW2AR-18/PERIPHERALS/
 File: PERIPHERALS.kicad_sch

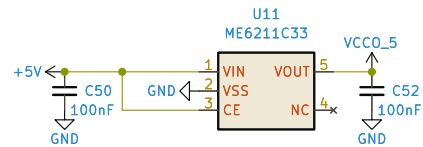
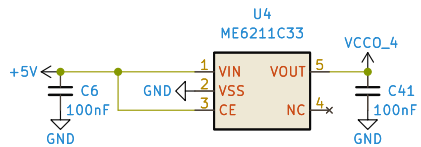
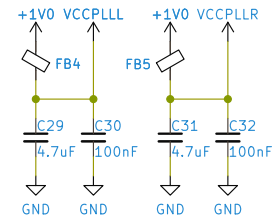
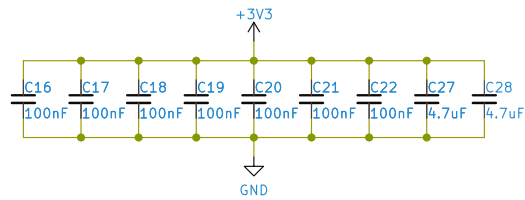
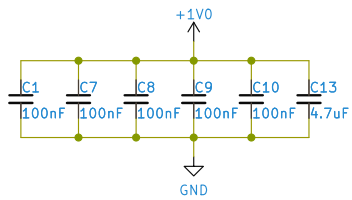
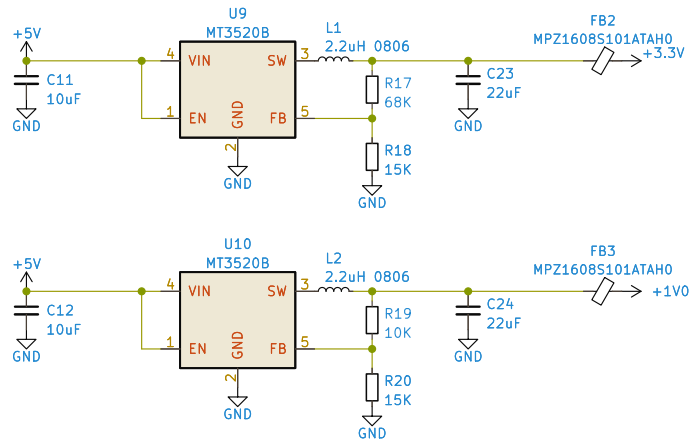
Title: Tang_Nano_20K_3921_Schematics

Size: A4 Date: 2023-06-13

KiCad E.D.A. kicad (6.0.8)

Rev: 1.22

Id: #/7



Sheet: /GW2AR-18/POWER/
 File: POWER.kicad_sch

Title: Tang_Nano_20K_3921_Schematics

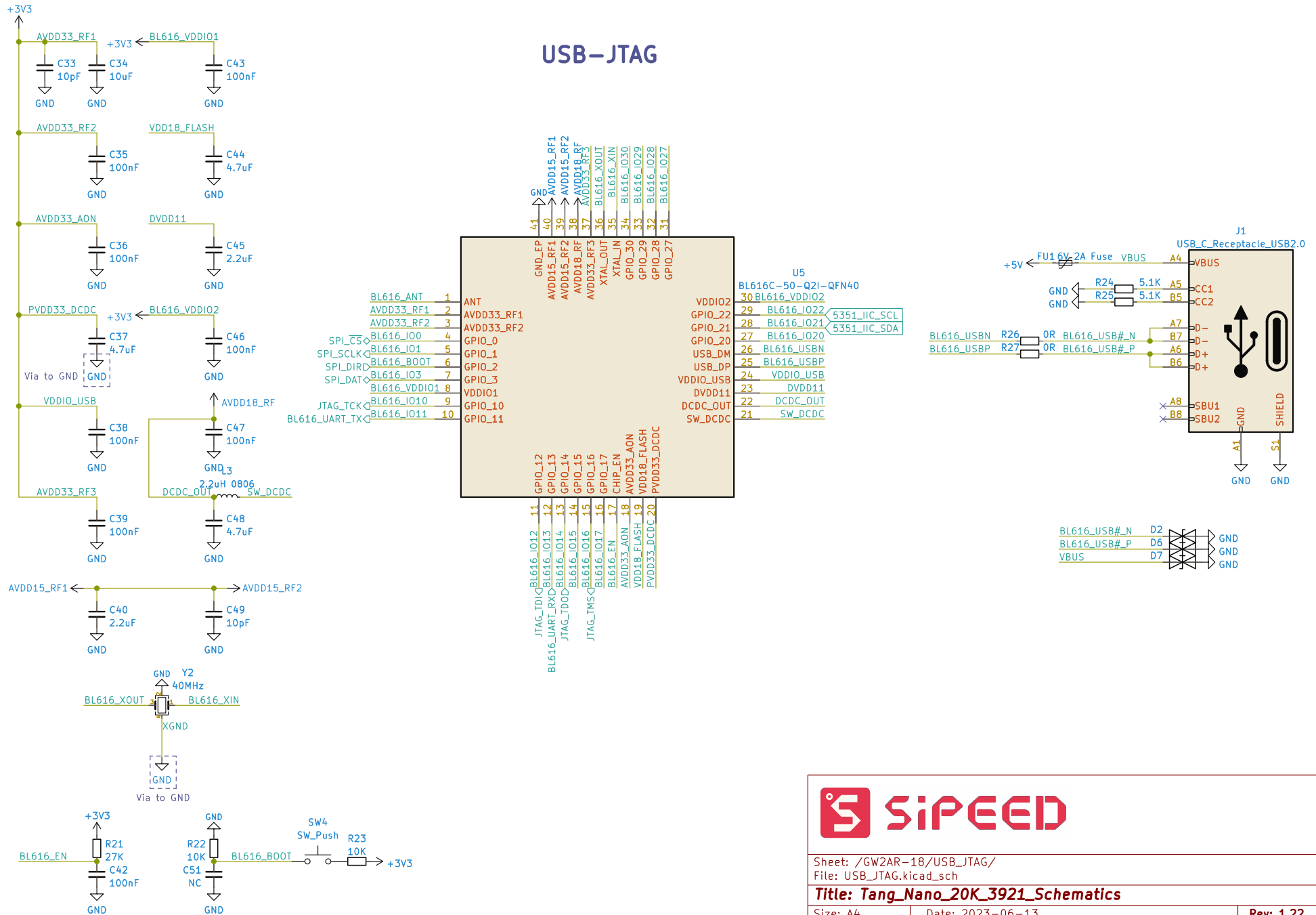
Size: A4 Date: 2023-06-13

KiCad E.D.A. kicad (6.0.8)

Rev: 1.22

Id: #77

USB-JTAG



Sheet: /GW2AR-18/USB_JTAG/	
File: USB_JTAG.kicad_sch	
Title: Tang_Nano_20K_3921_Schematics	
Size: A4	Date: 2023-06-13
KiCad E.D.A. kicad (6.0.8)	Rev: 1.22
	Id: #/7