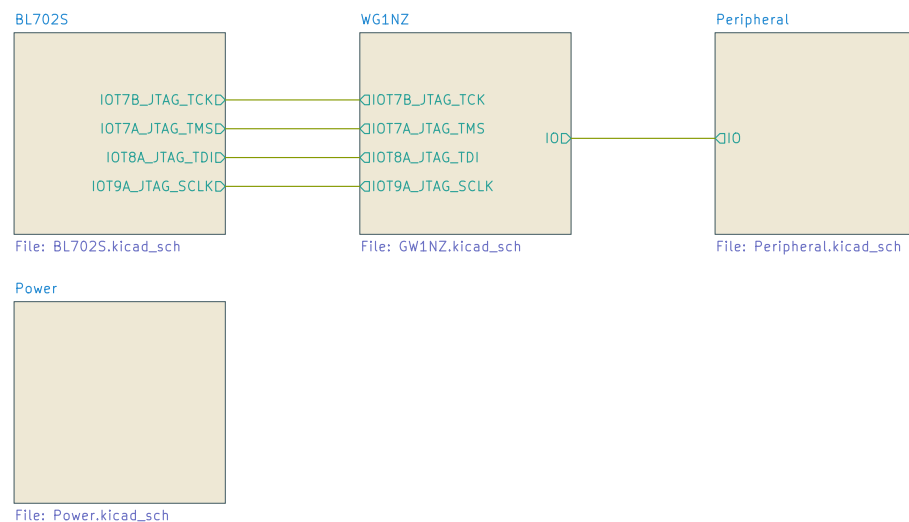


Tang Nano 1K

Revision History

Version	Date	Change Note
6100	2021/10/28	First edition



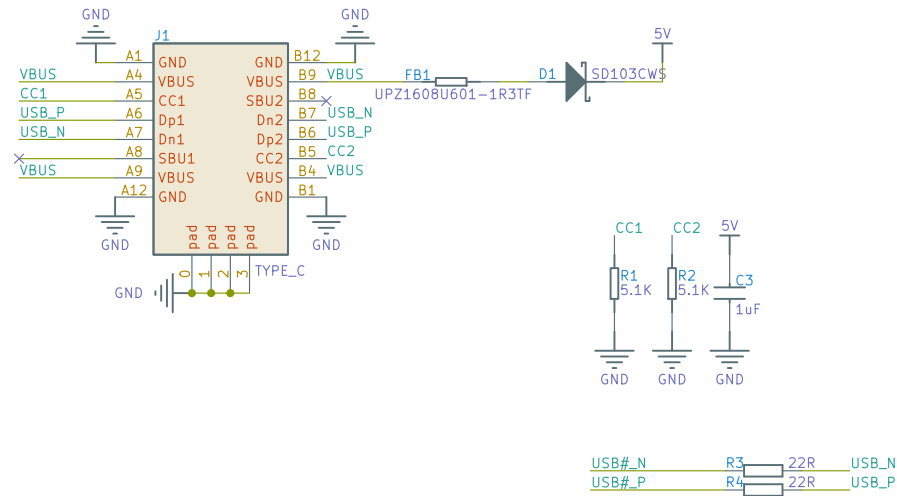
Sheet: /
File: Tang nano-6100.kicad_sch

Title: Tang nano 6100

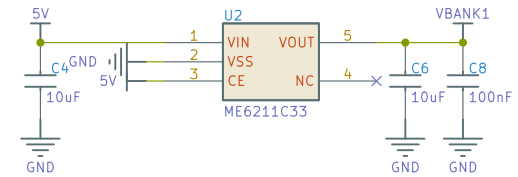
Size: A4 Date: 2021-10-28
KiCad E.D.A. eeschema (5.99.0-12829-gf2783a86e0)

Rev: NO.01
Id: 1/5

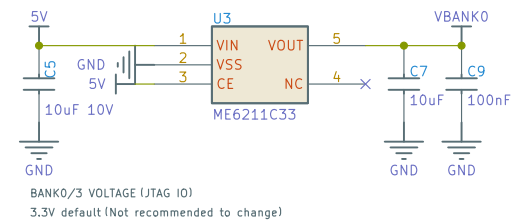
USB-C



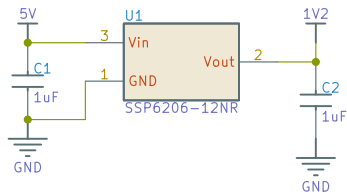
3.3V BANK1



3.3V BANK0



1.2V LDO

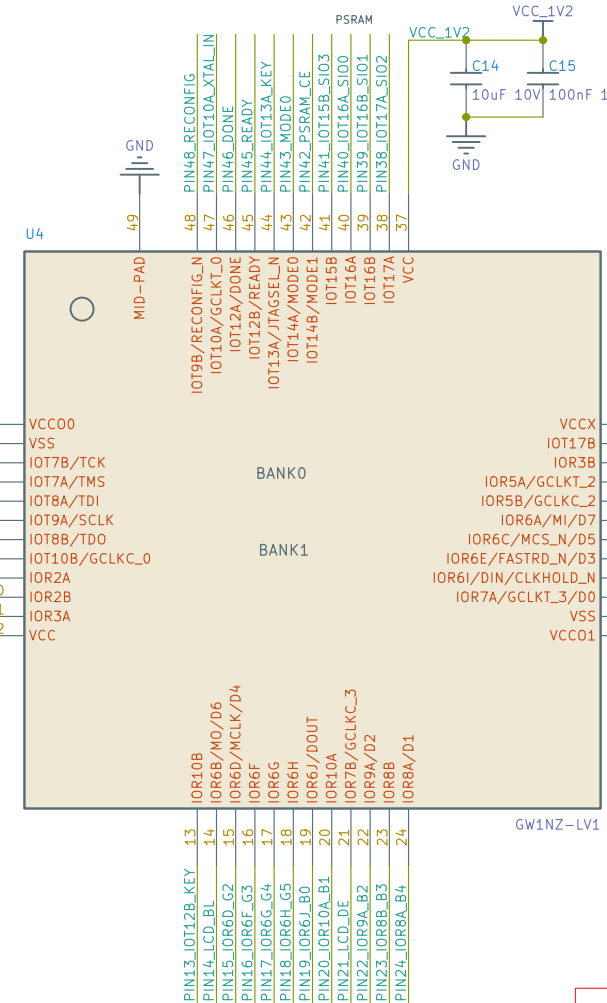
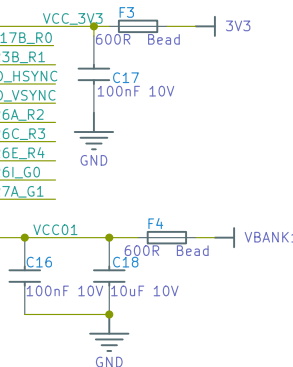
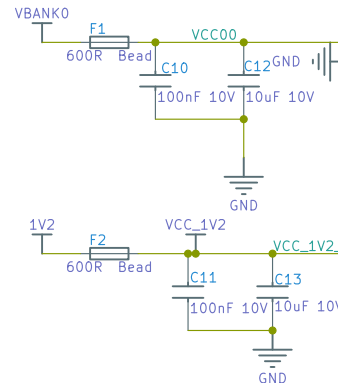
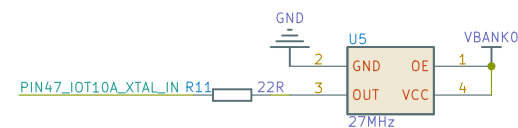
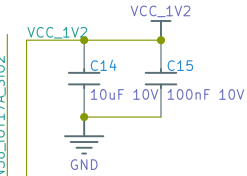
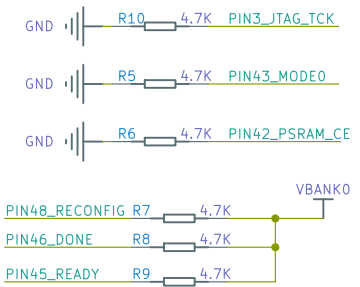


Sheet: /Power/
File: Power.kicad_sch

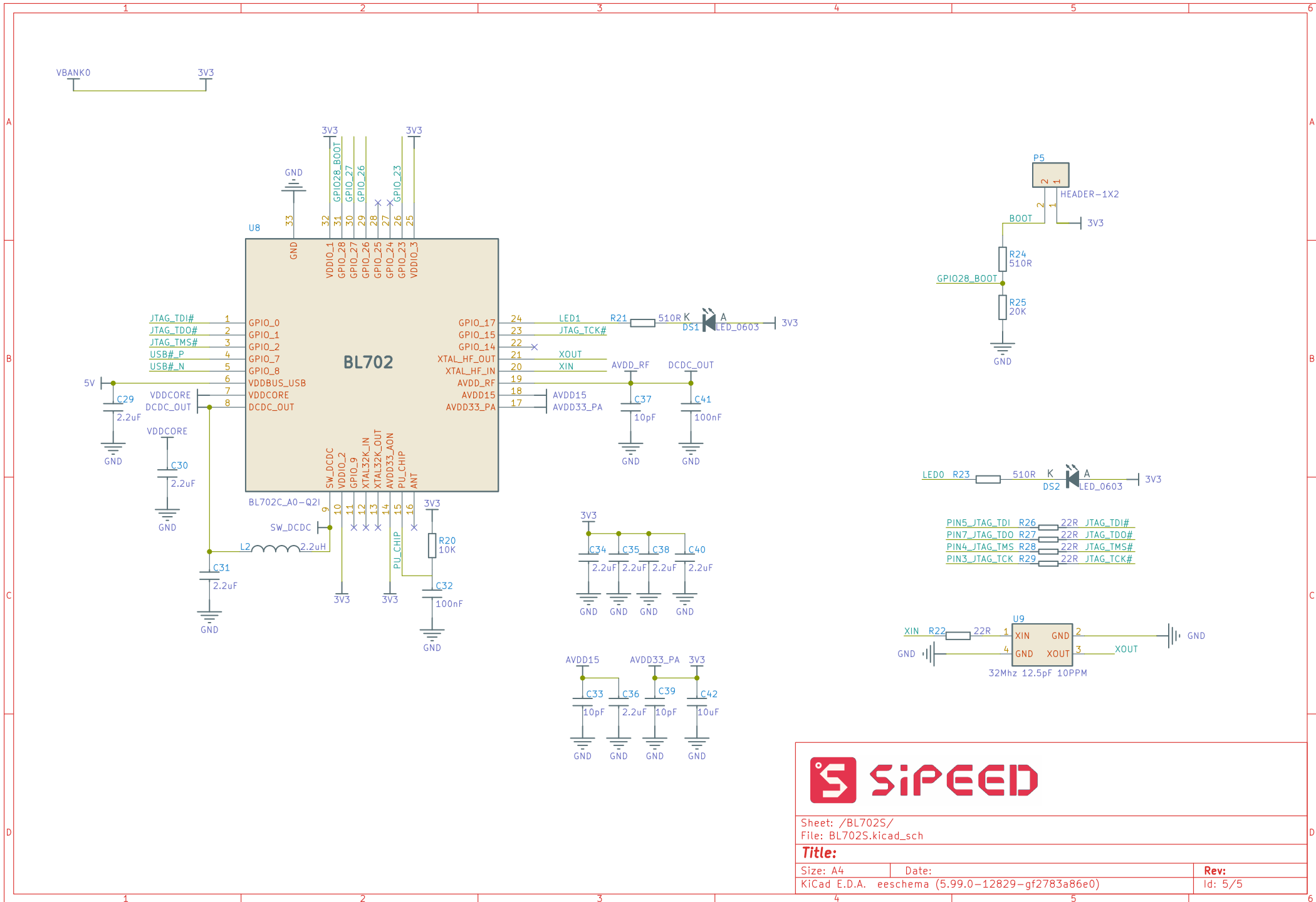
Title: Tang nano 6100

Size: A4 Date: 2021-10-28
KiCad E.D.A. eeschema (5.99.0-12829-gf2783a86e0)

Rev: **NO.01**
Id: 2/5



Sheet: /WG1NZ/		File: GW1NZ.kicad_sch	
Title: Tang nano 6100			
Size: A4	Date: 2021-10-28		Rev: NO.01
KiCad E.D.A. eeschema (5.99.0-12829-gf2783a86e0)			Id: 3/5



Sheet: /BL702S/		File: BL702S.kicad_sch	
Title:			
Size: A4	Date:	Rev:	
KiCad E.D.A. eeschema (5.99.0-12829-gf2783a86e0)		Id: 5/5	