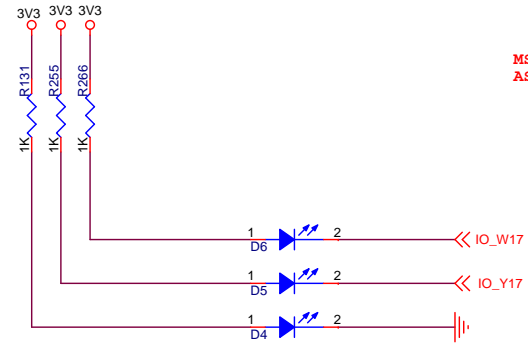
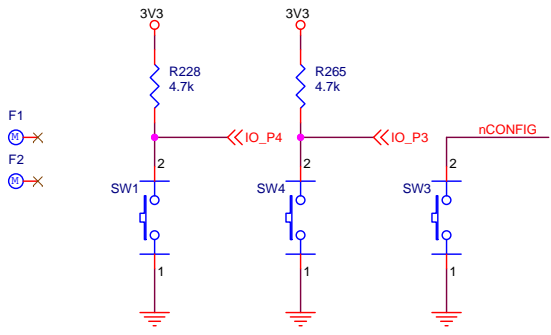
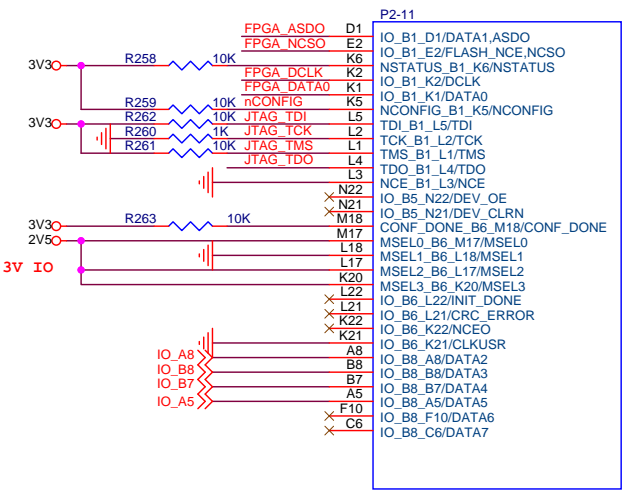


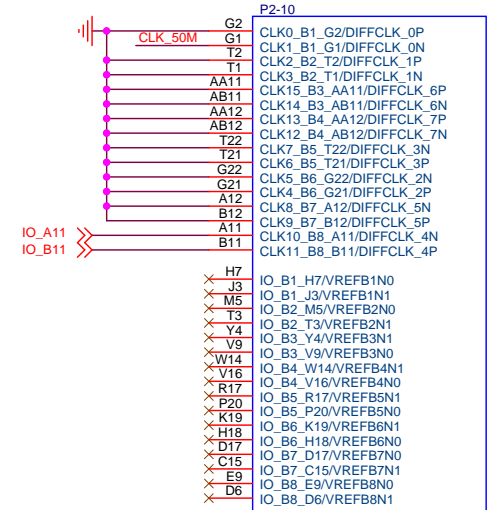
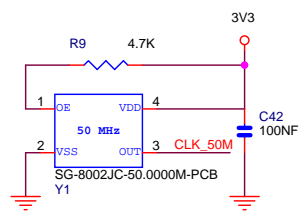
Title			QMTECH Cyclone 10 Starter Kit		
Size	Document Number				Rev
B	<QMTECH>				1
Date:	Wednesday, April 10, 2019	Sheet	1	of	1



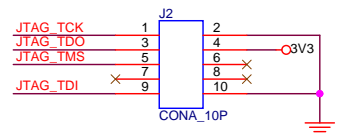
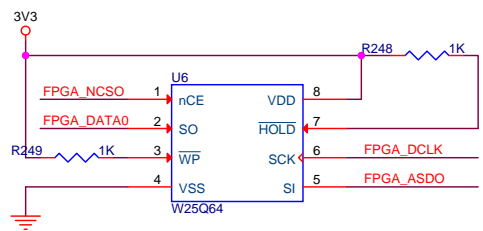
MSEL[3:0]=1101:
ASx1, Fast POR, 3.3V IO



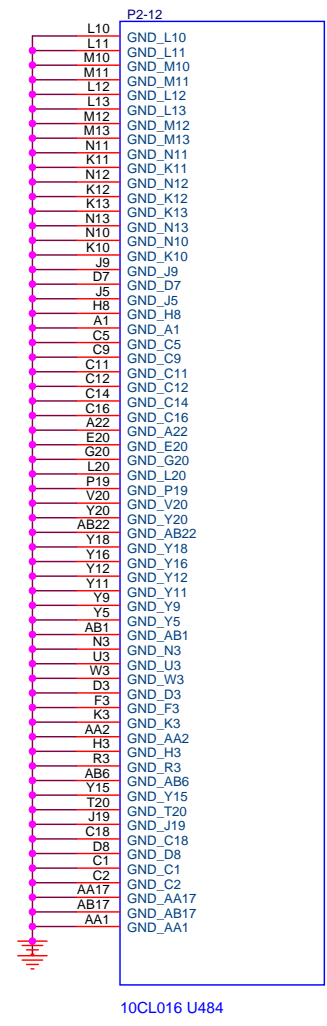
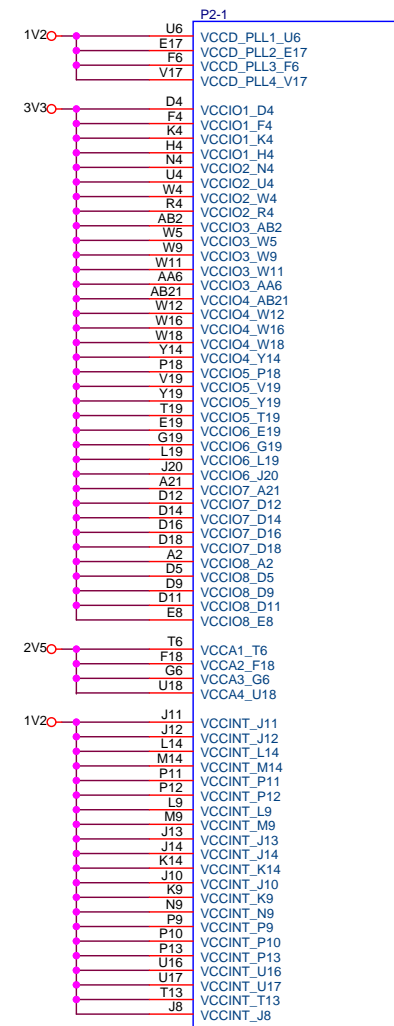
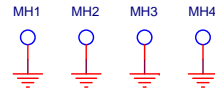
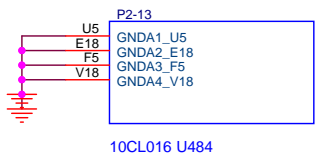
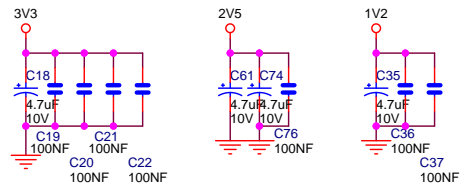
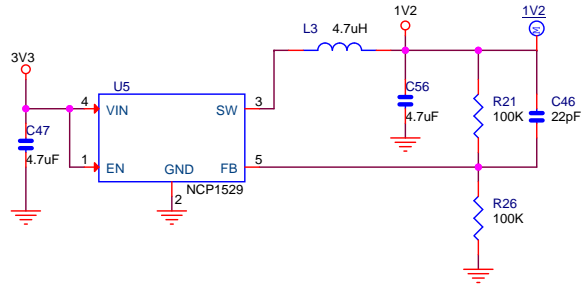
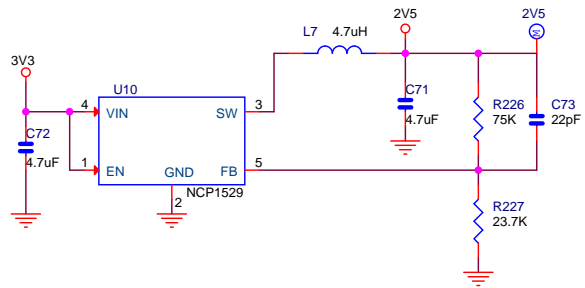
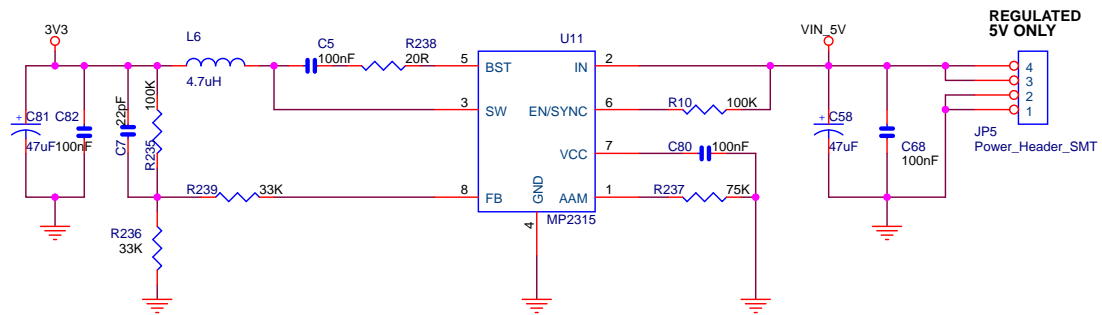
10CL016 U484



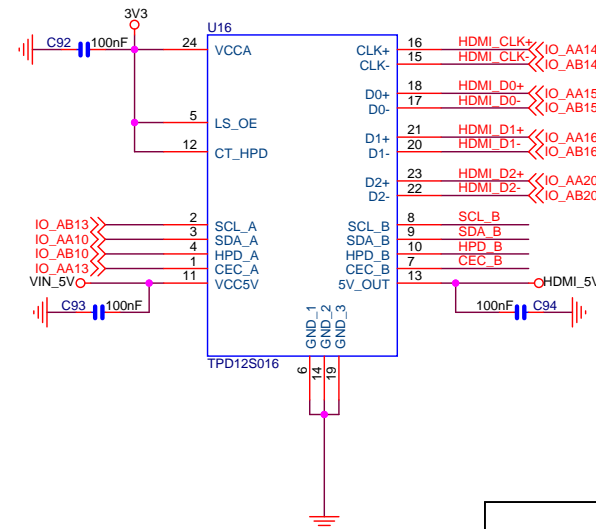
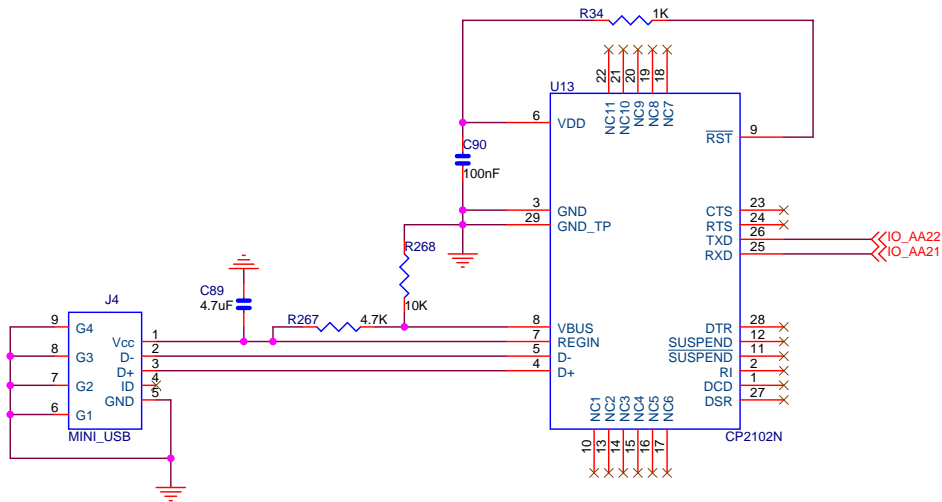
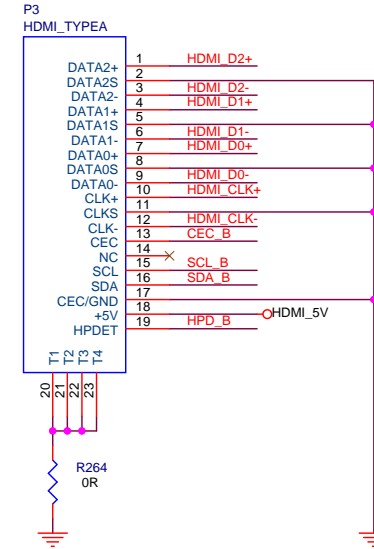
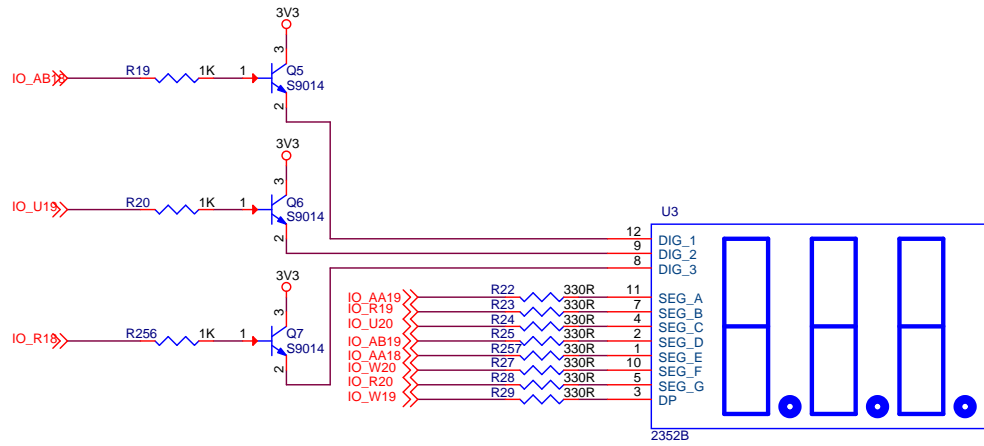
10CL016 U484



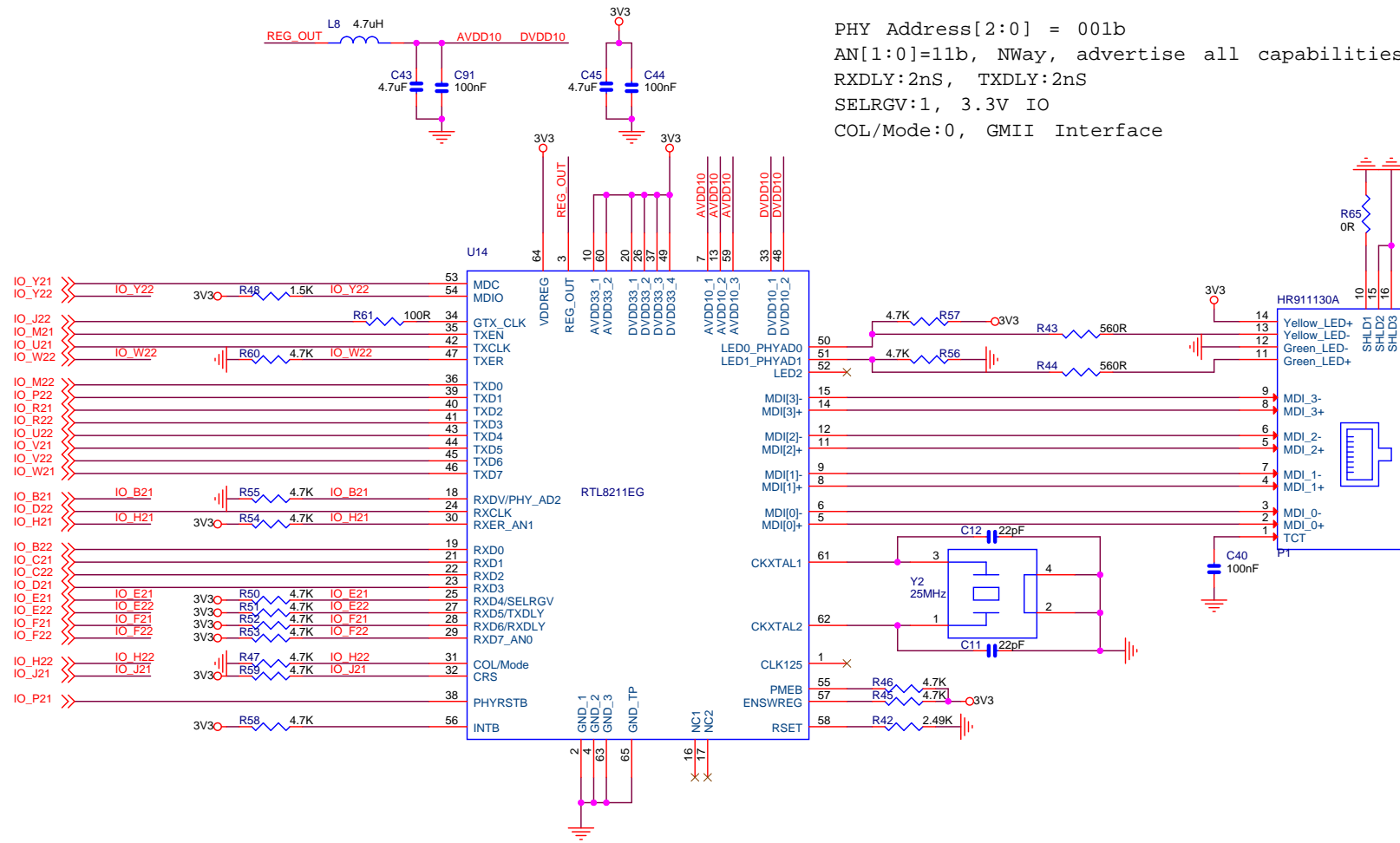
Title		
QMTECH Cyclone 10 Starter Kit		
Size	Document Number	Rev
B	<QMTECH>	1
Date:	Wednesday, April 10, 2019	Sheet 1 of 1



Title			QMTECH Cyclone 10 Starter Kit		
Size	Document Number				Rev
B	<QMTECH>				1
Date:	Wednesday, April 10, 2019	Sheet	1	of	1



Title			QMTECH Cyclone 10 Starter Kit		
Size	Document Number				Rev
B	<Doc>				1
Date:	Wednesday, April 10, 2019		Sheet	1 of 1	



```

PHY Address[2:0] = 001b
AN[1:0]=11b, NWay, advertise all capabilities
RXDLY:2nS, TXDLY:2nS
SELRGV:1, 3.3V IO
COL/Mode:0, GMII Interface
  
```

Title		
QMTECH Cyclone 10 Starter Kit		
Size	Document Number	Rev
B	<Doc>	1
Date:	Wednesday, April 10, 2019	Sheet 1 of 1