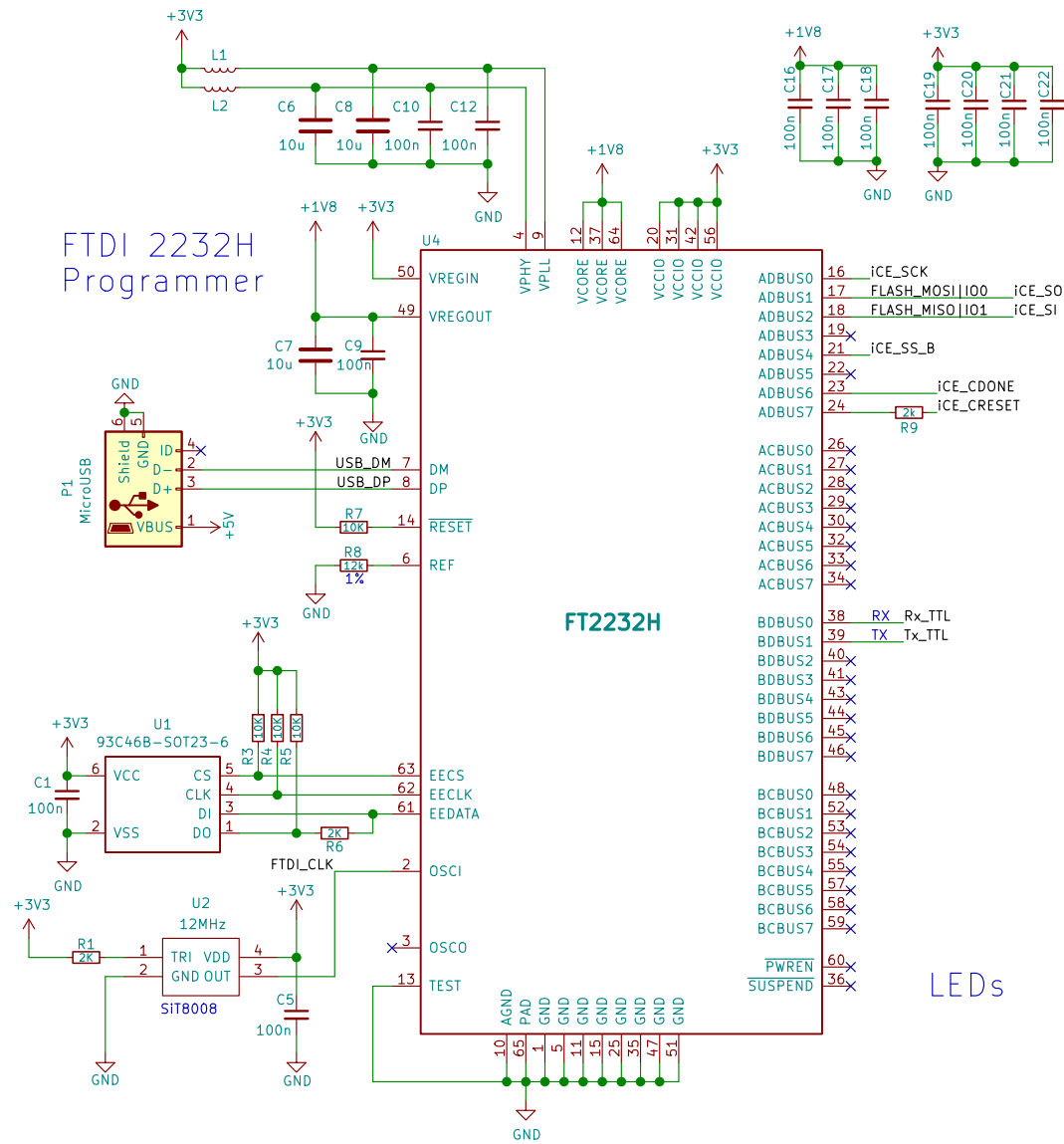
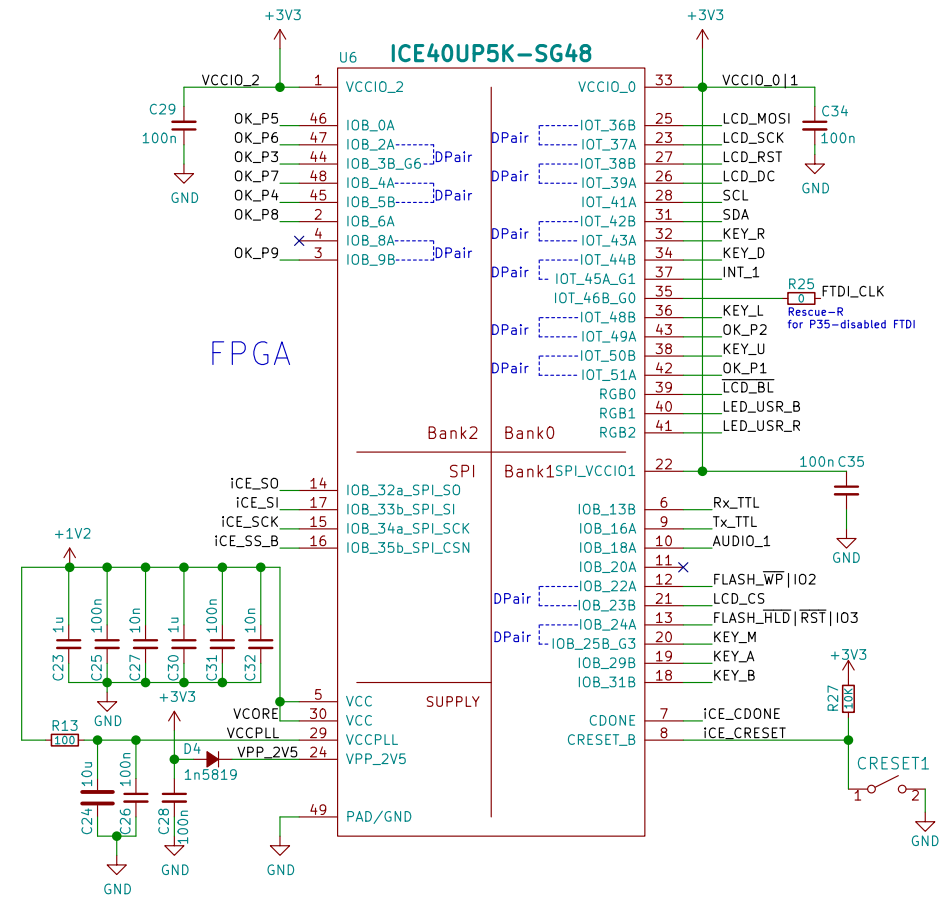


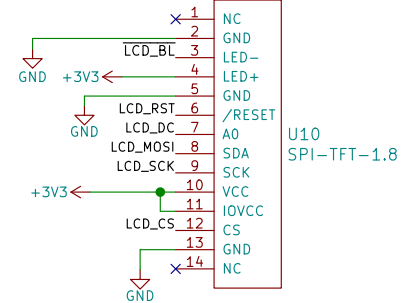
FTDI 2232H Programmer



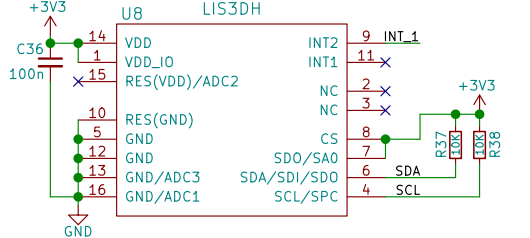
FPGA



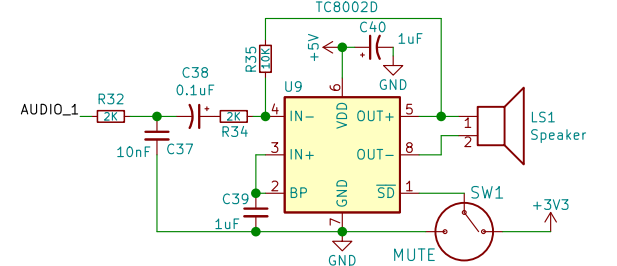
LCD 1.8" ST7735S



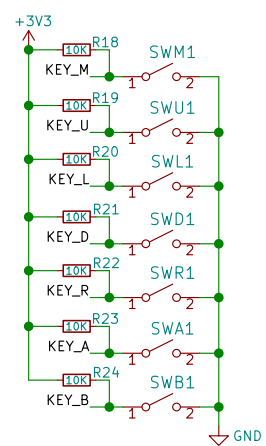
3-Axis Accelerometer



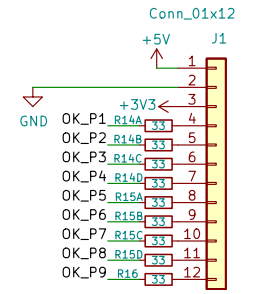
AUDIO AMP SPEAKER 1W



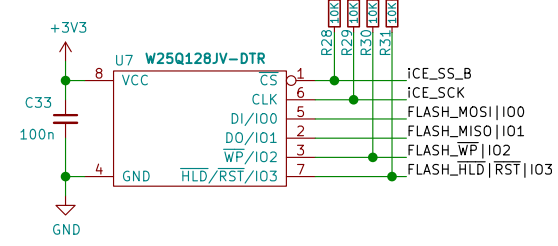
Game Keys



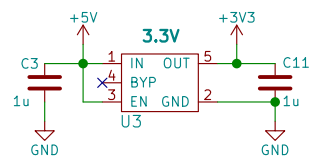
OK-PMOD Port



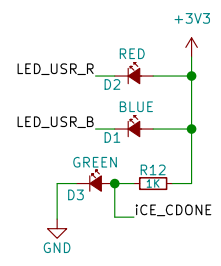
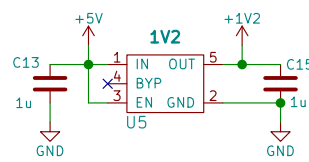
ICE FPGA Flash



3.3V RT-9080



1.2V RT-9013



- H1 MountingHole
- H2 MountingHole
- H3 MountingHole
- H4 MountingHole
- SPKR-20MM1 MountingHole
- H5 TestPad
- H6 TestPad
- H7 TestPad
- H8 TestPad

TKLua@wifiboy.org
WiFiBoy Computing Laboratory, Inc.