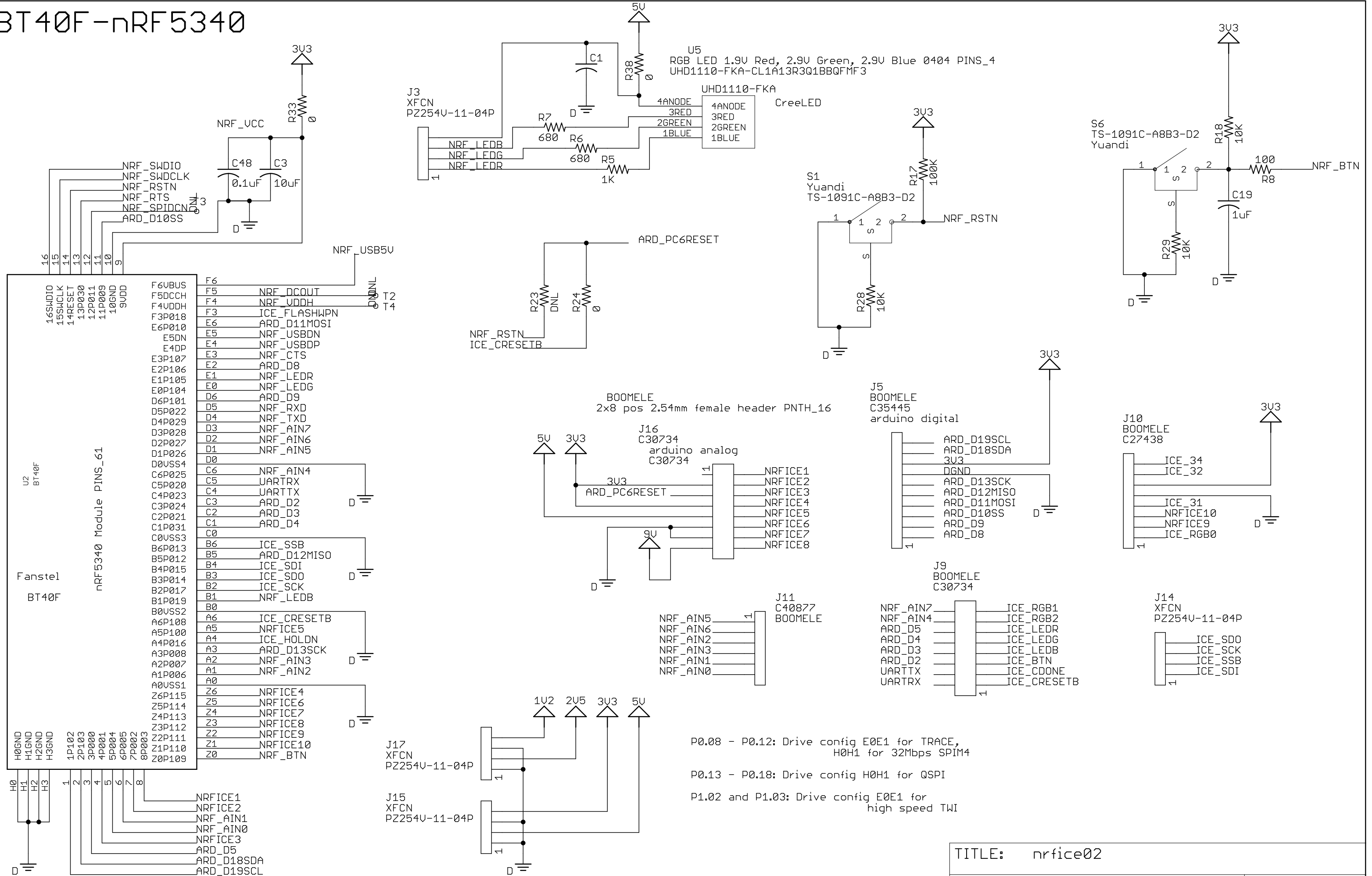
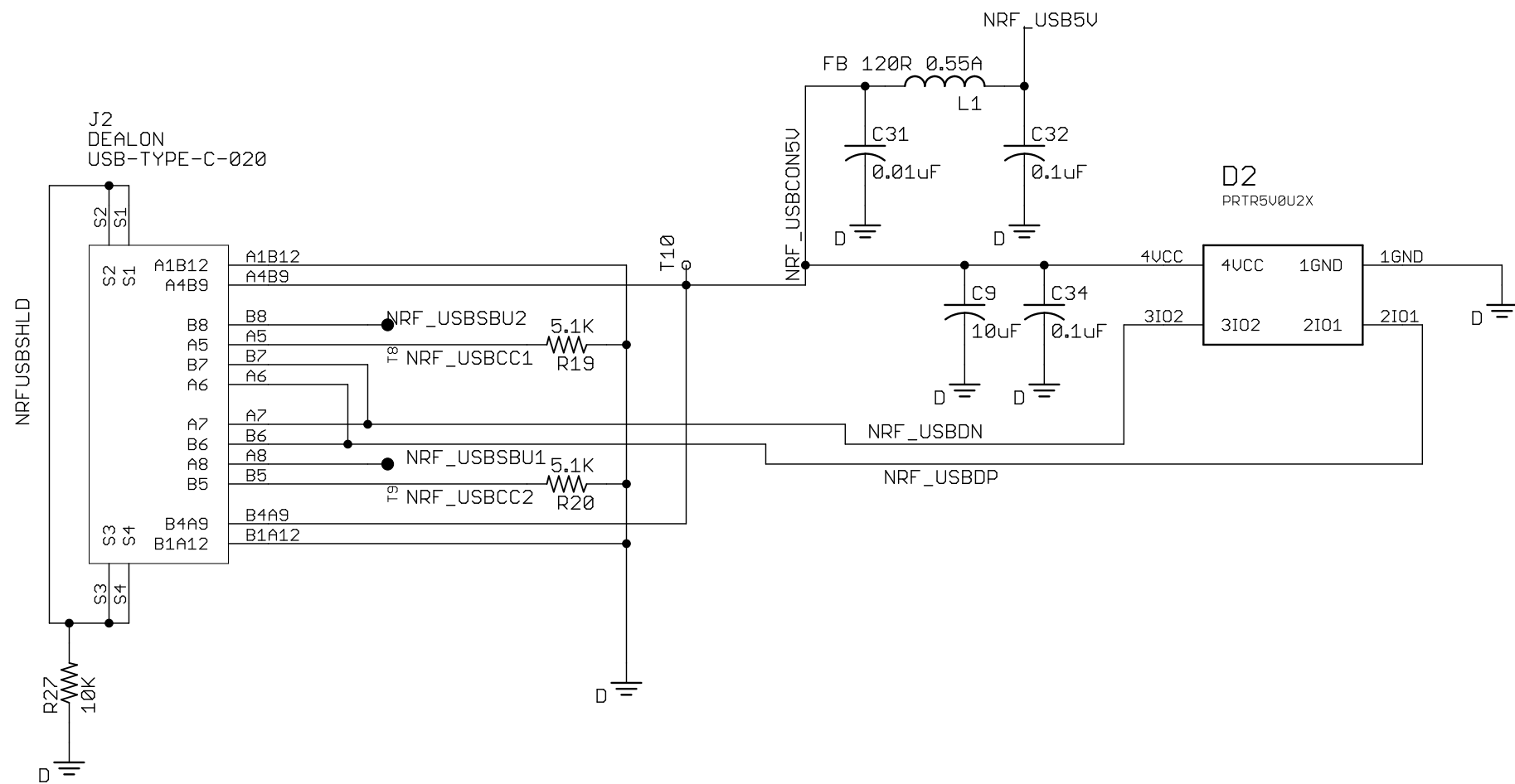
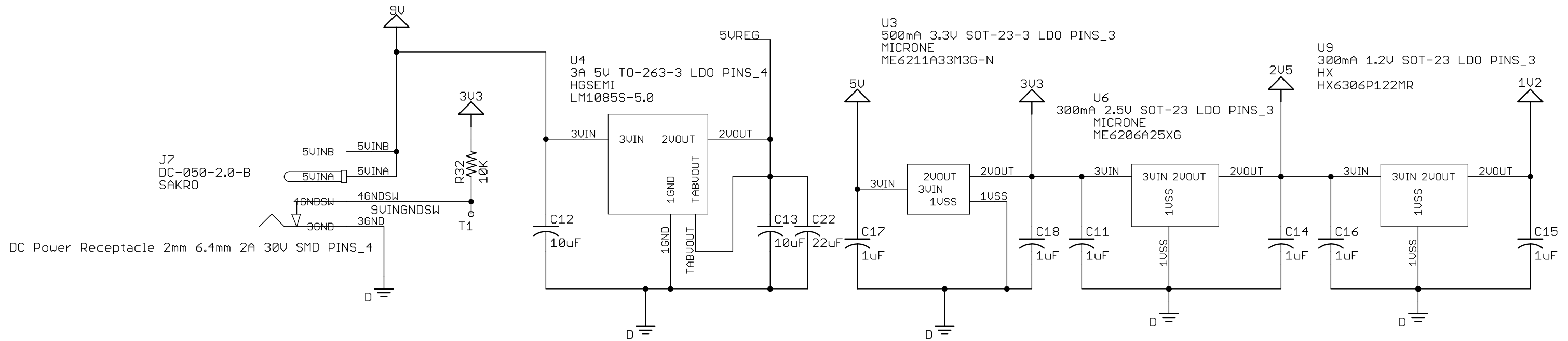
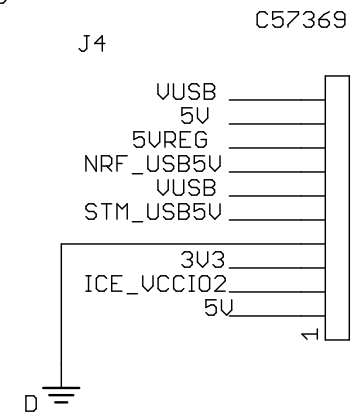


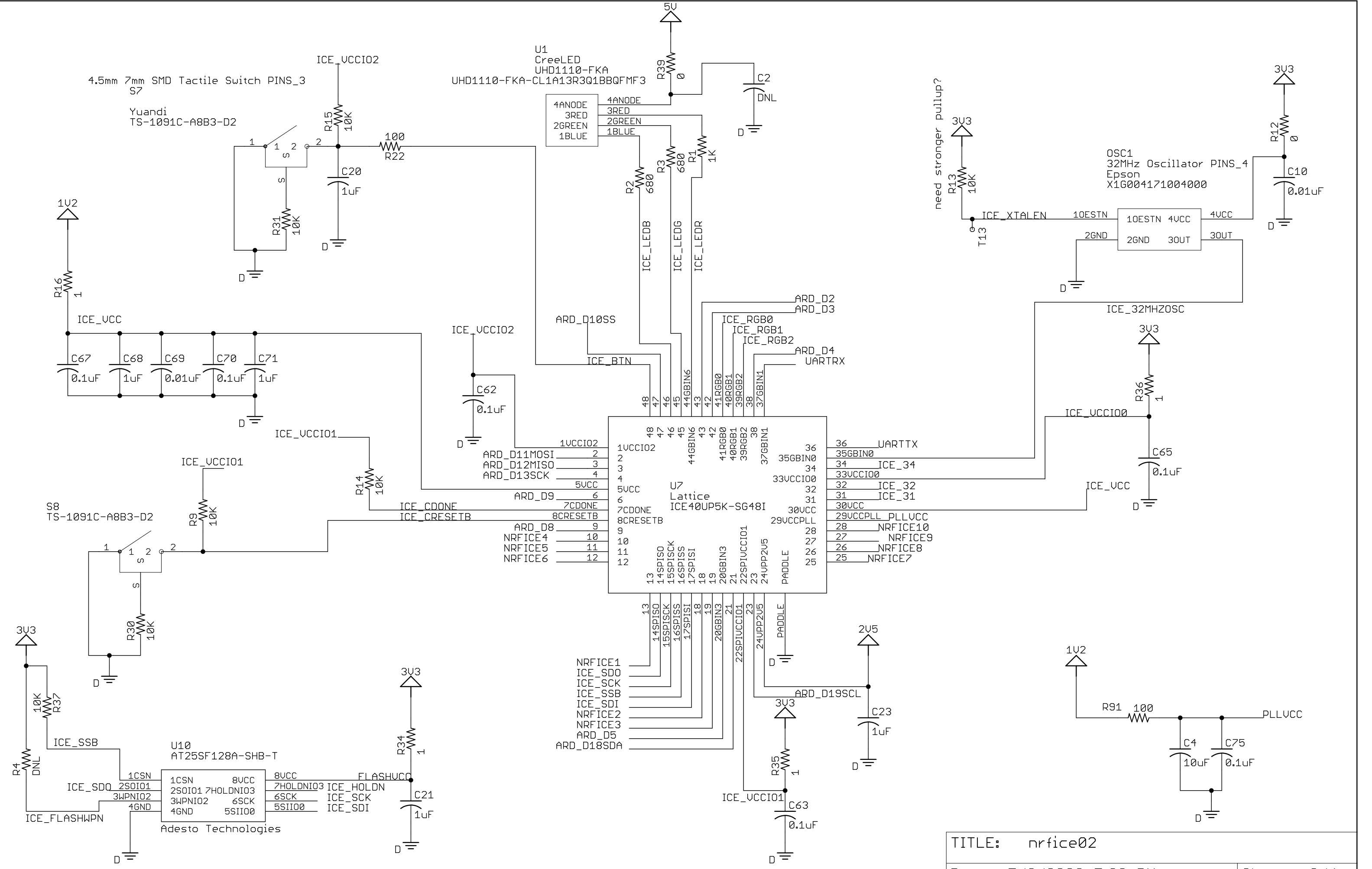
# BT40F-nRF5340





1x10 pos 2.54 male header PNTH\_10  
BOOMELE  
C57369





# Jlink-OB

ob\_sw0... used for stm or nrf?

