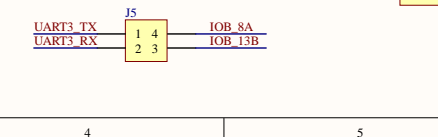
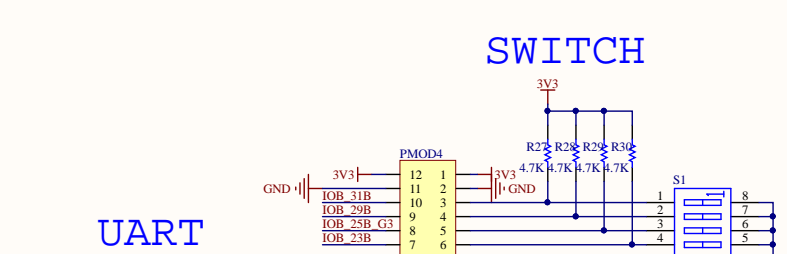
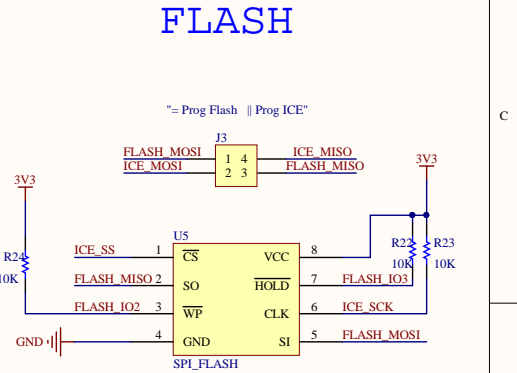
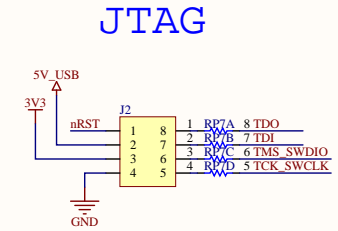
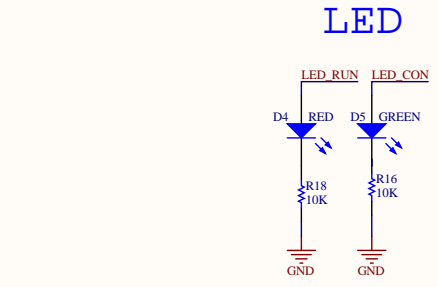
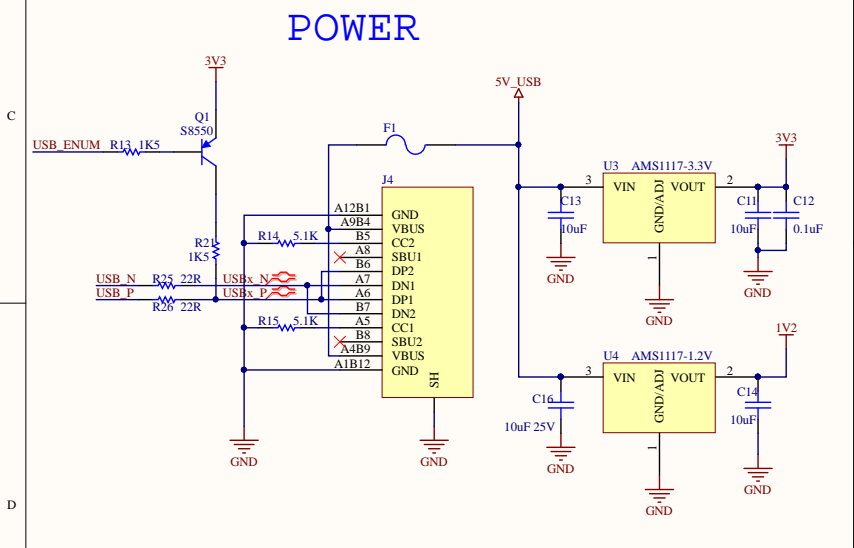
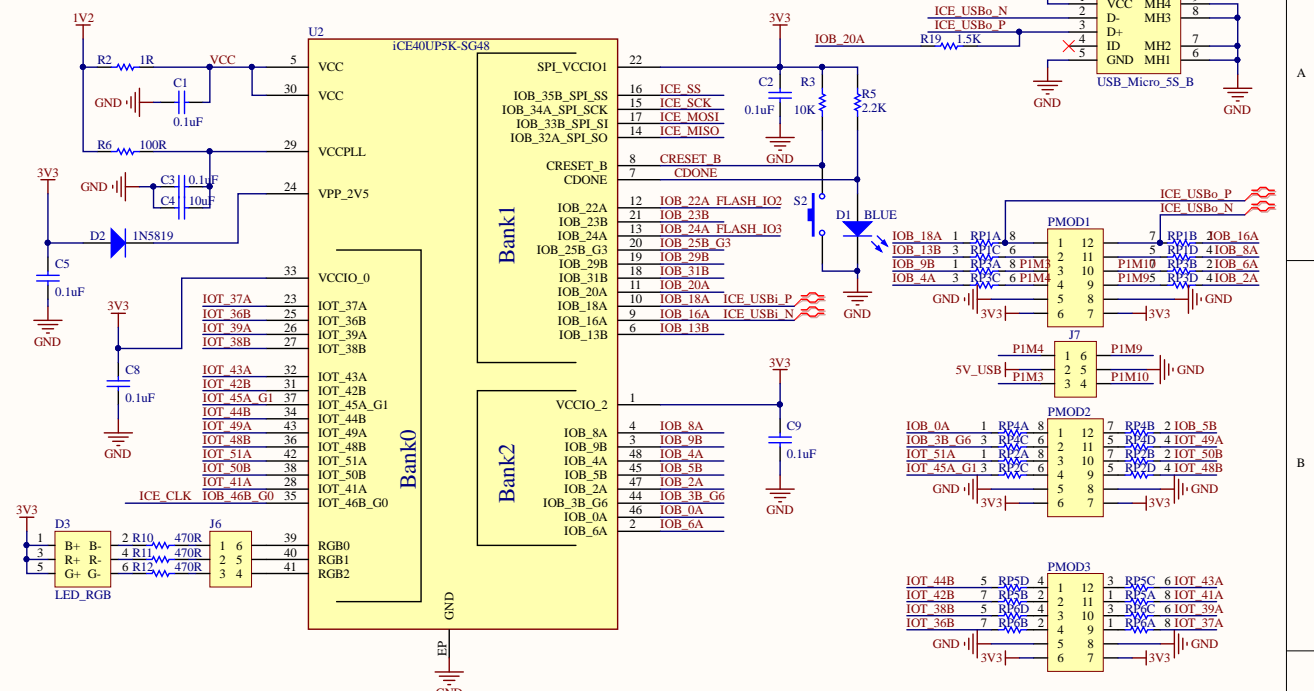
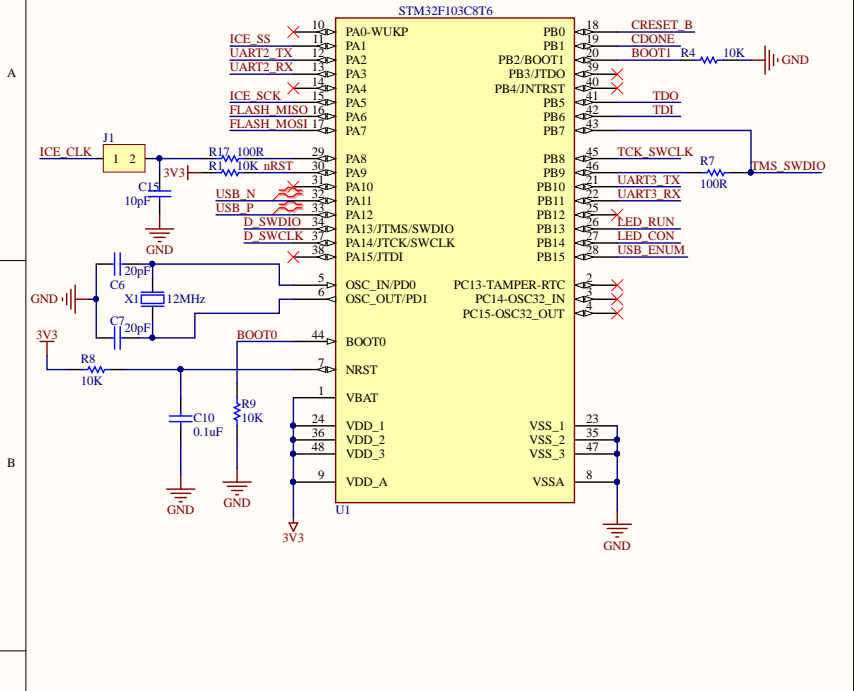


iceLink

iceSugar v1.5

ice40UP5K-SG48



Size	Number	Revision
A3	2020/6/17	Sheet of
File: F:\20200617\ICESugar.SchDoc		Drawn By: