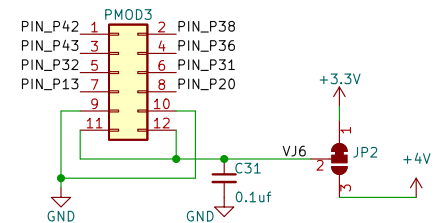
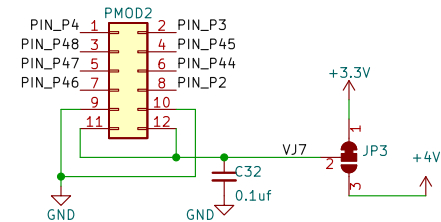
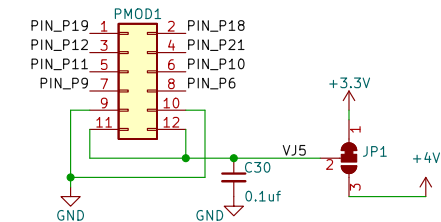
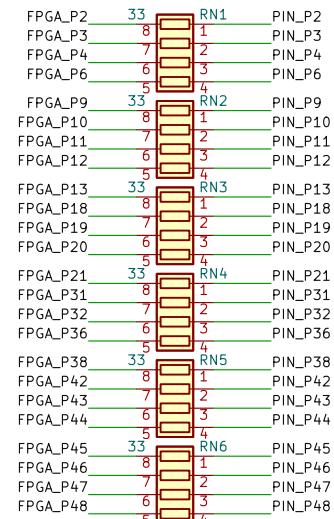
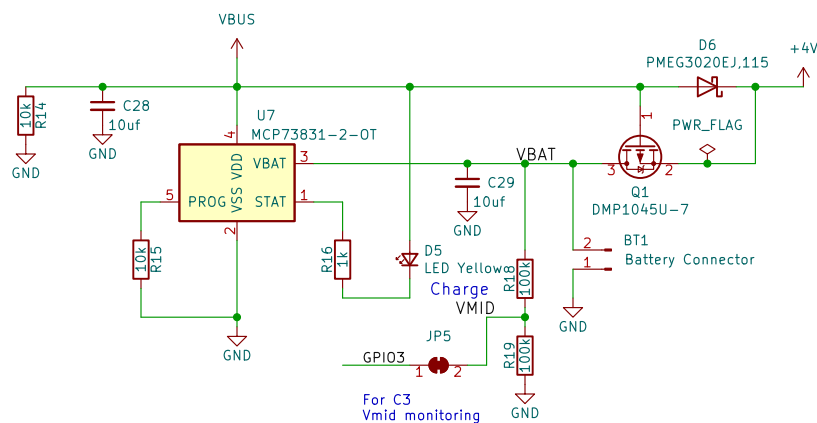


Optional solder jumper for extra signalling between ESP and ICE40.



PMOD Supply Select Default to 3.3V



For C3 Vmid monitoring

