

REV	Description	DATE	BY
1.0	First release	2021.01.11	Bruce

Seed Studio

TITLE: XIAO ESP32C3

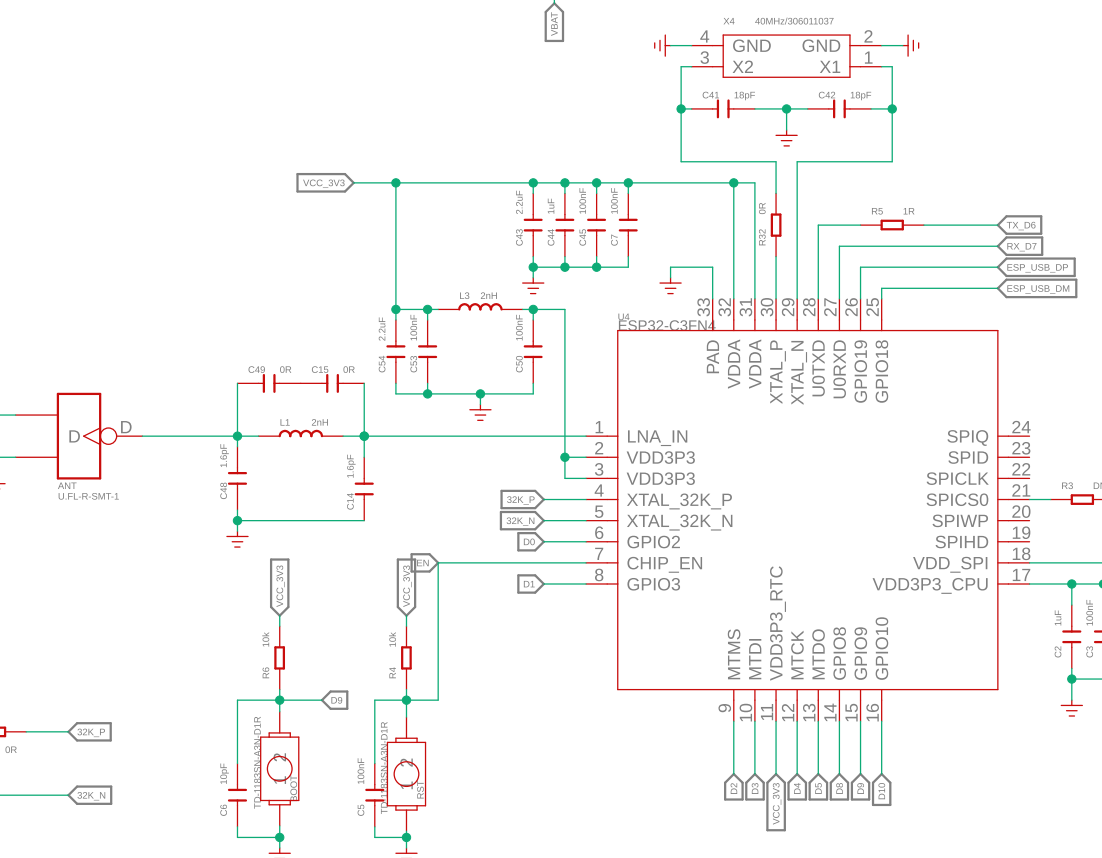
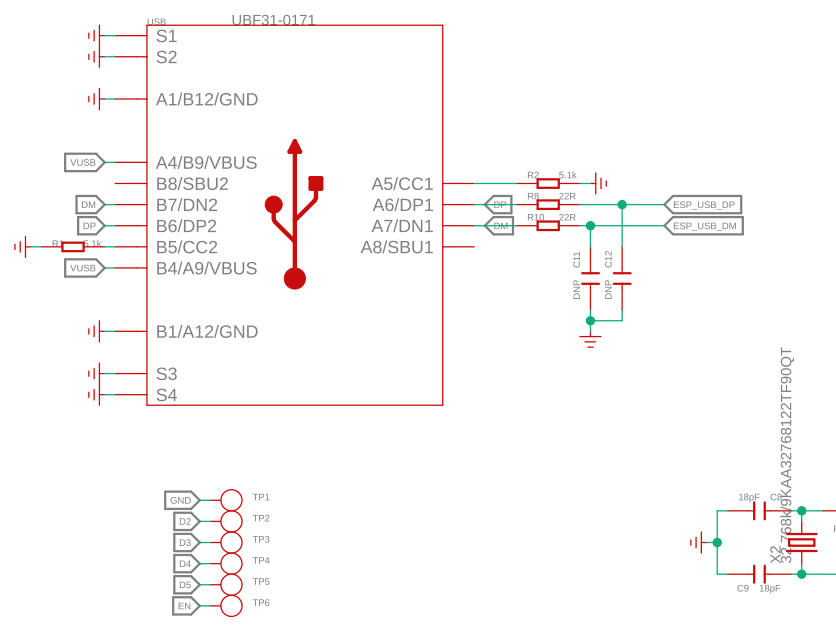
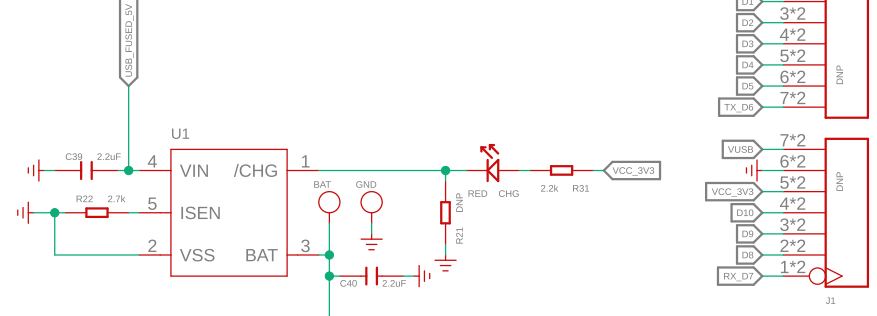
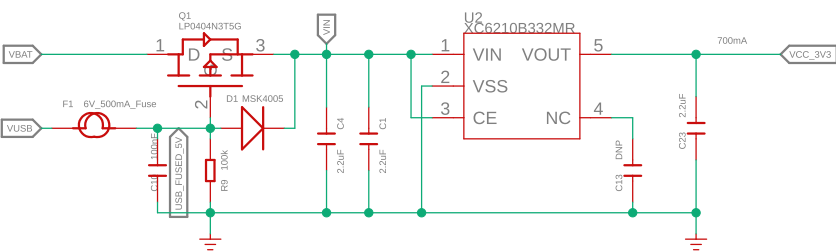
Design:

Check:

Date: 2022/5/23 13:43

Vision:

Sheet:



Seed Studio

TITLE: XIAO ESP32C3

Design:

Check:

Date: 2022/5/23 13:43

Vision:

Sheet: