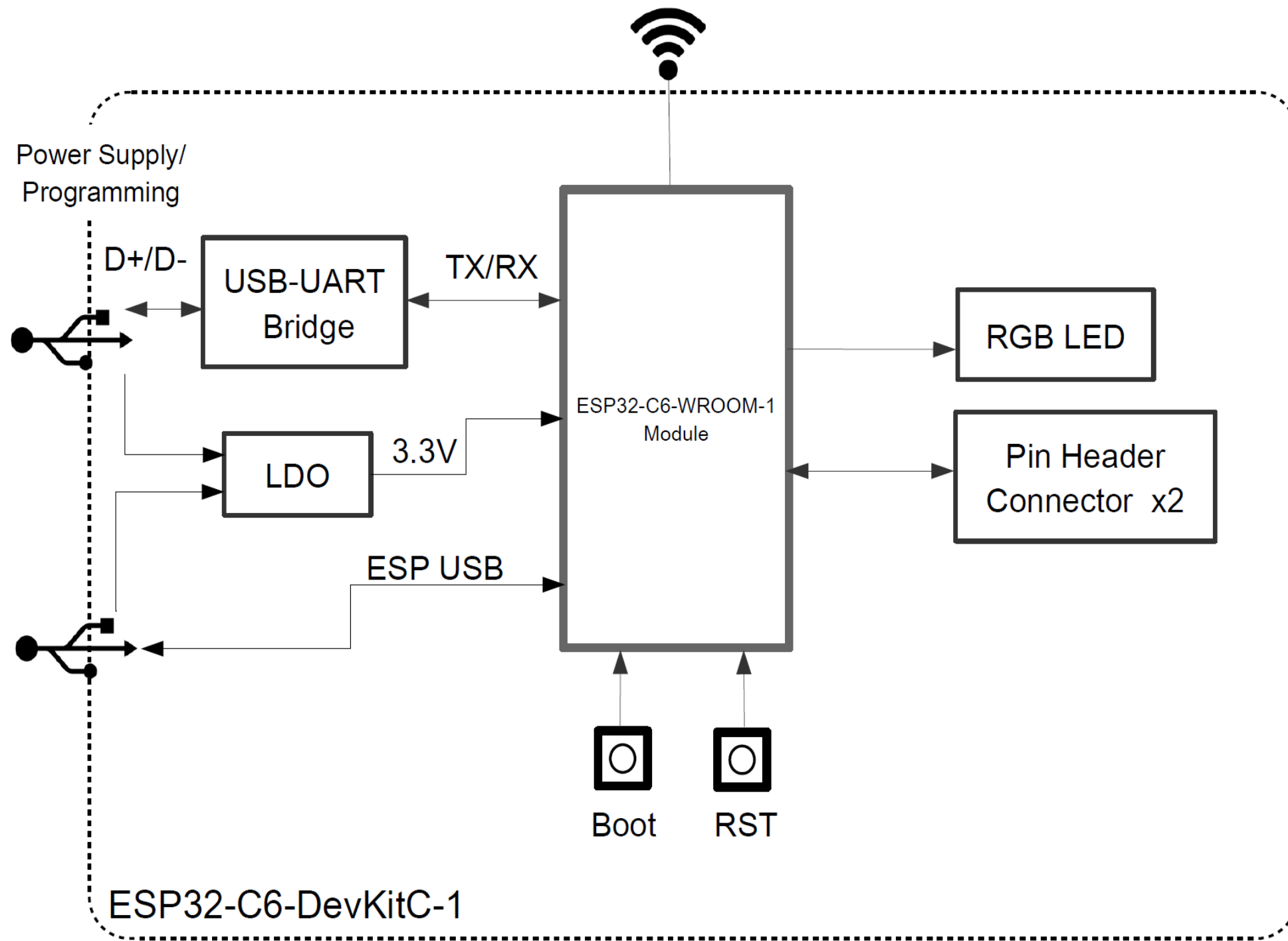
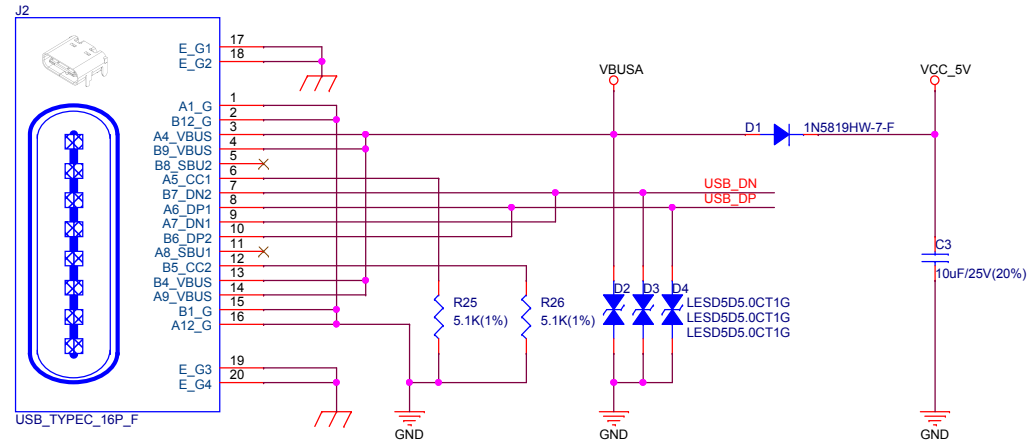


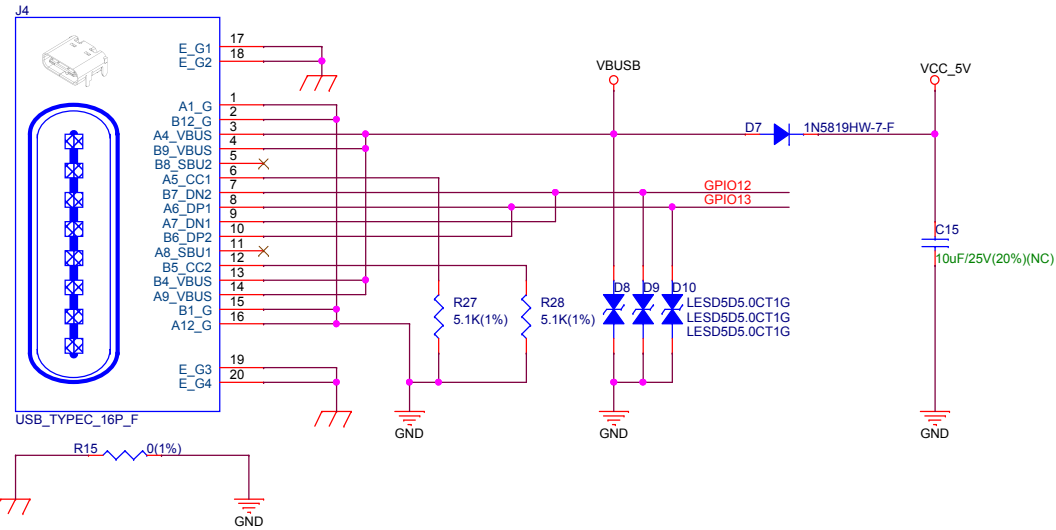
System Block:



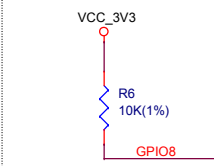
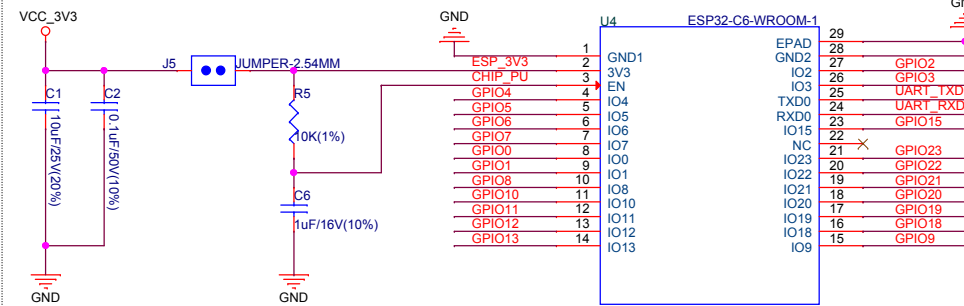
USB to UART:



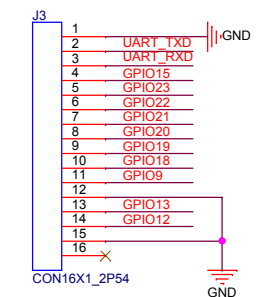
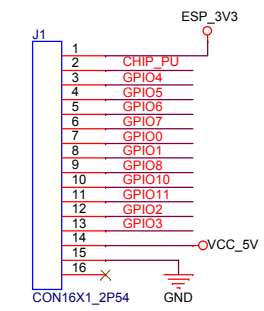
USB:



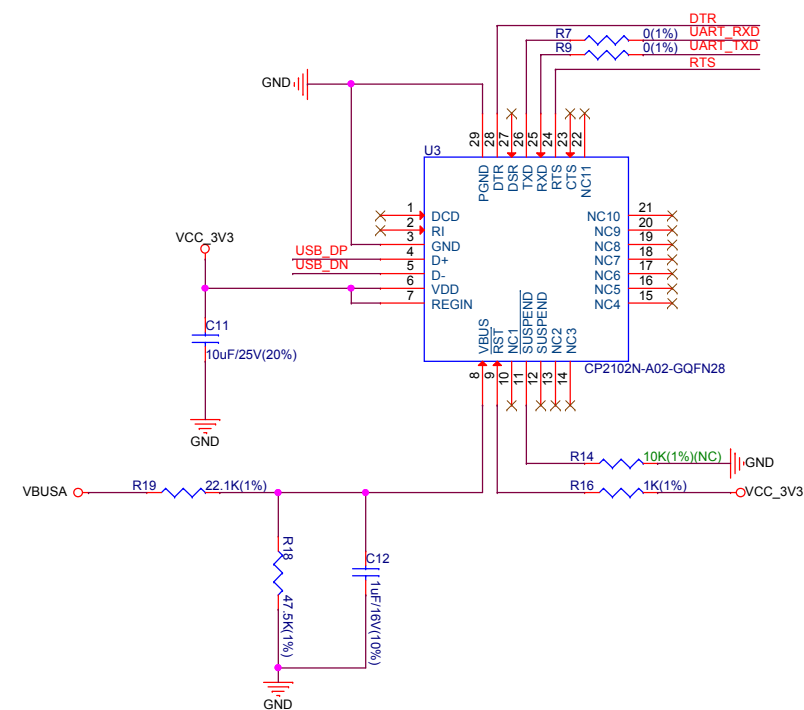
ESP32-C6-WROOM-1:



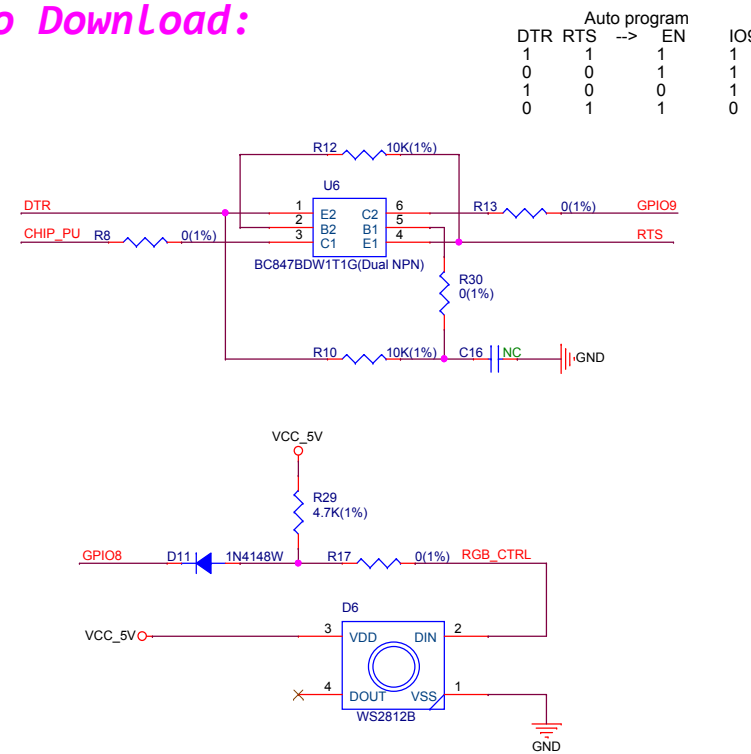
Pin Header:



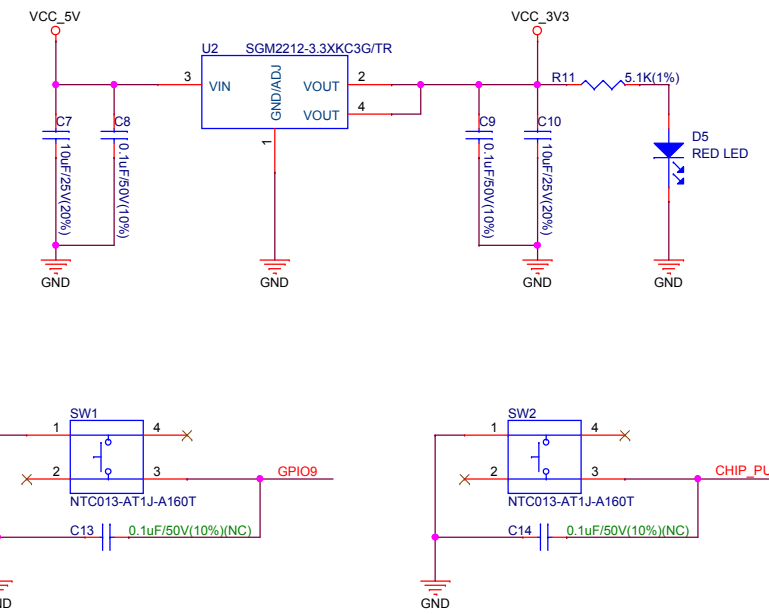
UART:



Auto Download:



Power Regulator:



ESPRESSIF

乐鑫信息科技(上海)股份有限公司

Title ESP32-C6-DevKitC-1

Size Document Number

C 02 ESP32-C6-DevKitC-1

Rev V1.2

Date: Tuesday, January 10, 2023

Sheet 2 of 2