


UDOO

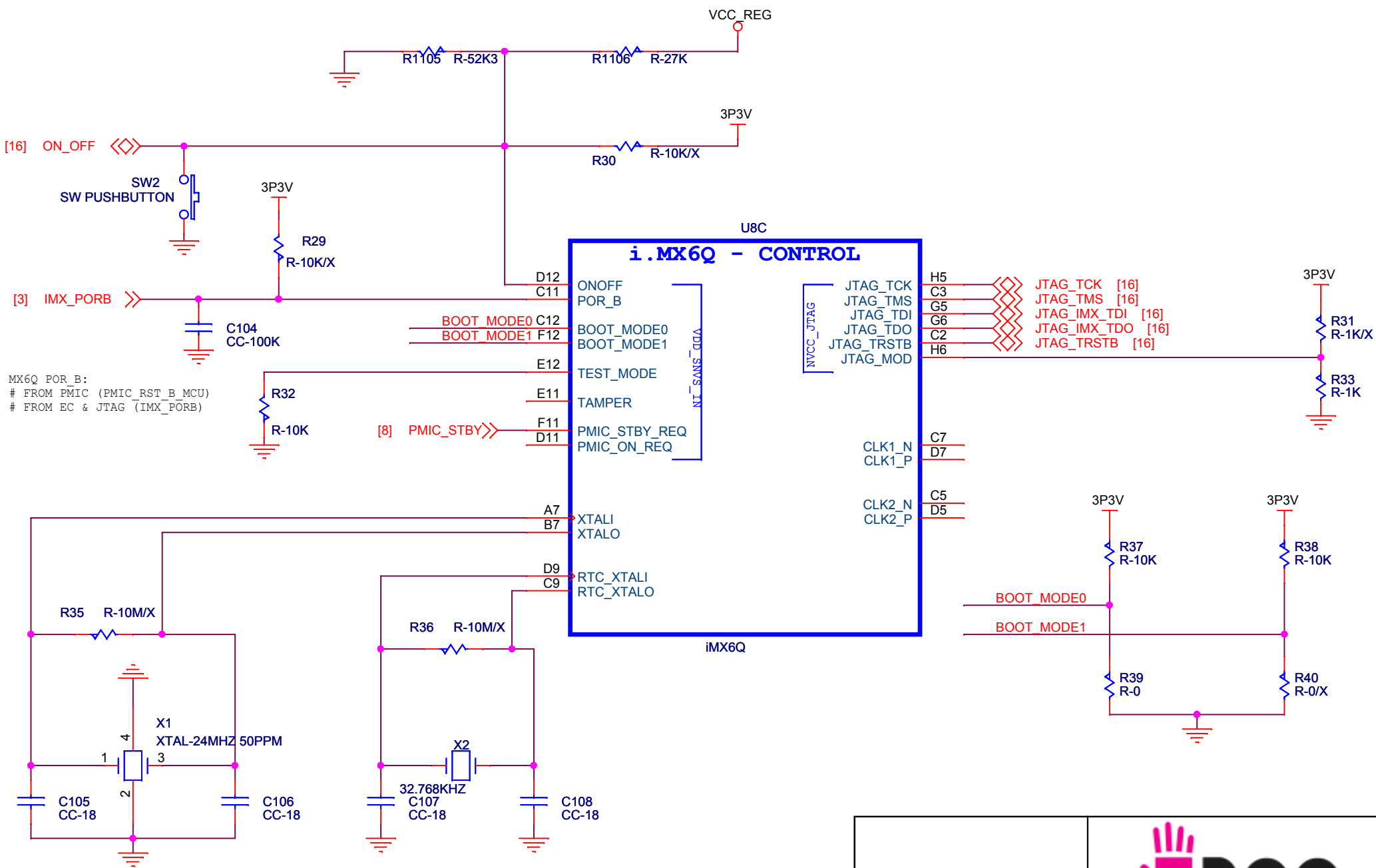
i.MX6Q OPEN SOURCE MODULE

REV.D


JUNE 2013

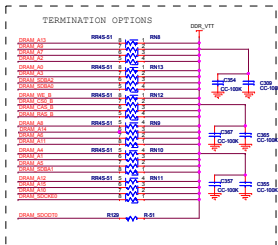
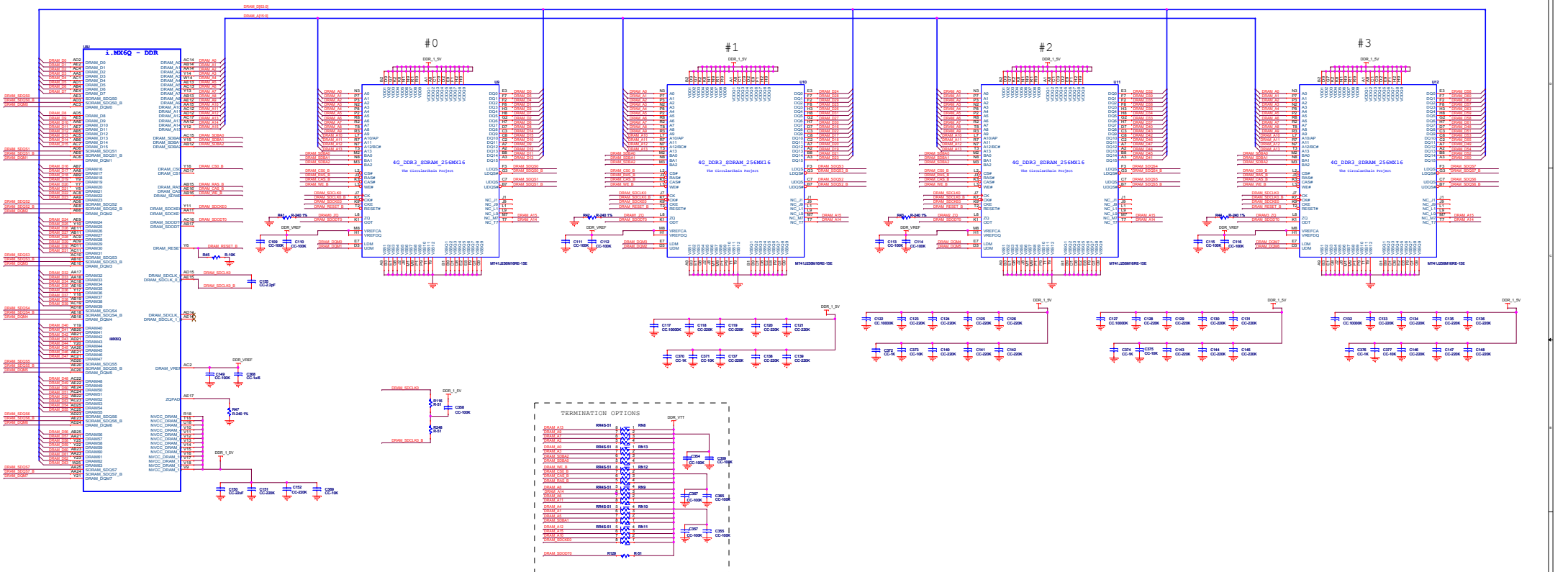
Legend	
/X	<FLAG /X> = NOT MOUNTED

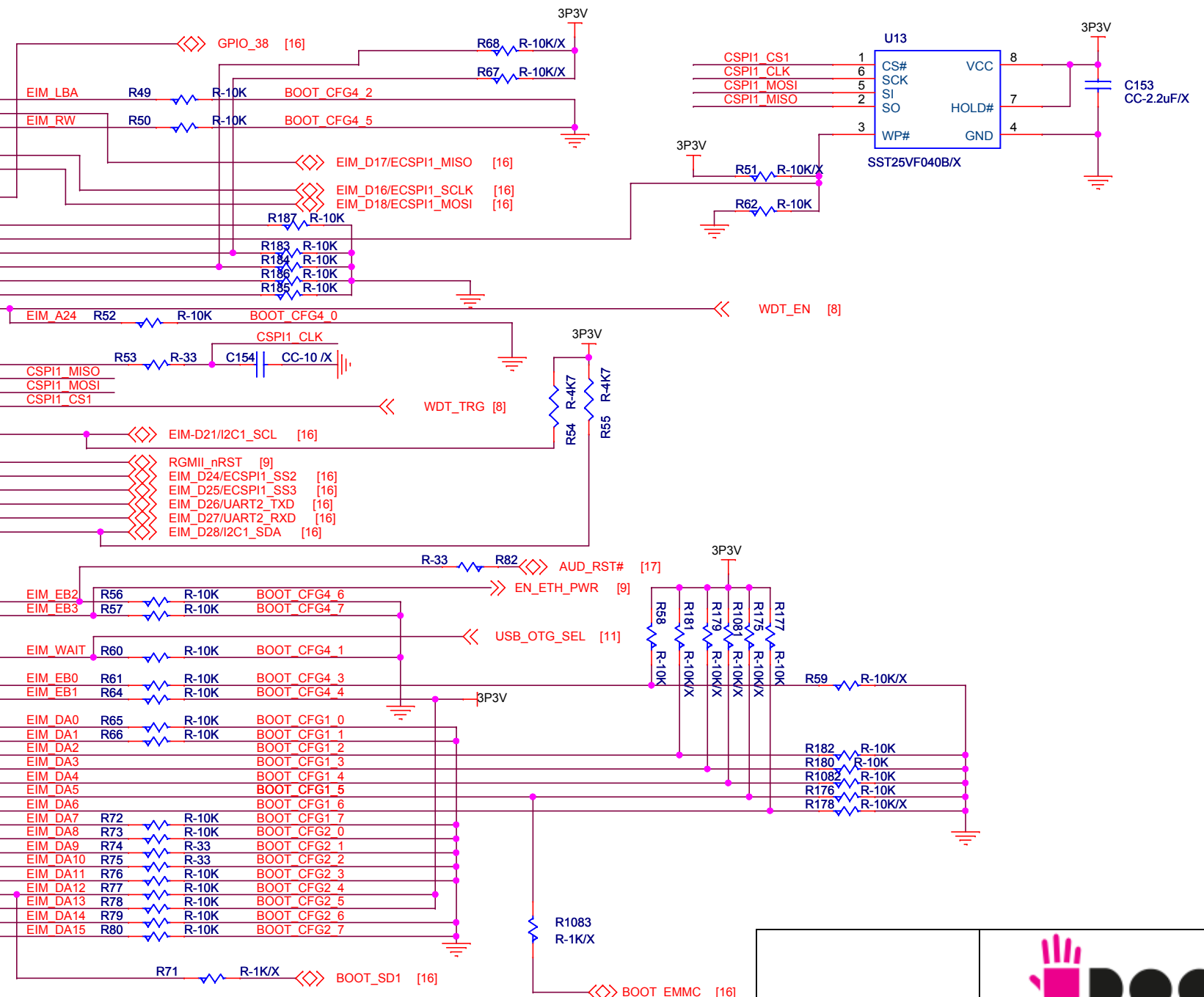
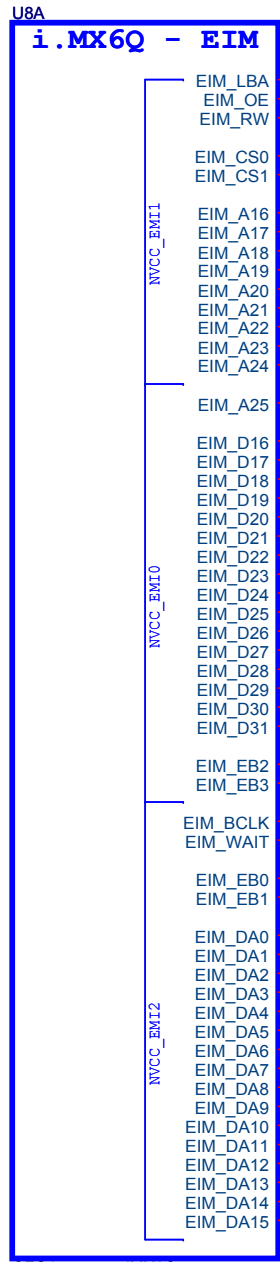
Schematic Title			
UDOO BOARD		Created By UDOO TEAM	
Size A3	Page Name COVER	Rev D	
Date: Monday, August 05, 2013		Sheet	1 of 17



MX6Q POR_B:
 # FROM PMIC (PMIC_RST_B_MCU)
 # FROM EC & JTAG (IMX_PORB)

			
Schematic Title		Created By	
UDOO BOARD		UDOO TEAM	
Size A	Page Name	Rev	
	i.MX6Q - CONTROL	D	
Date:	Monday, August 05, 2013	Sheet	4 of 17





UDOO BOARD

Created By **UDOO TEAM**

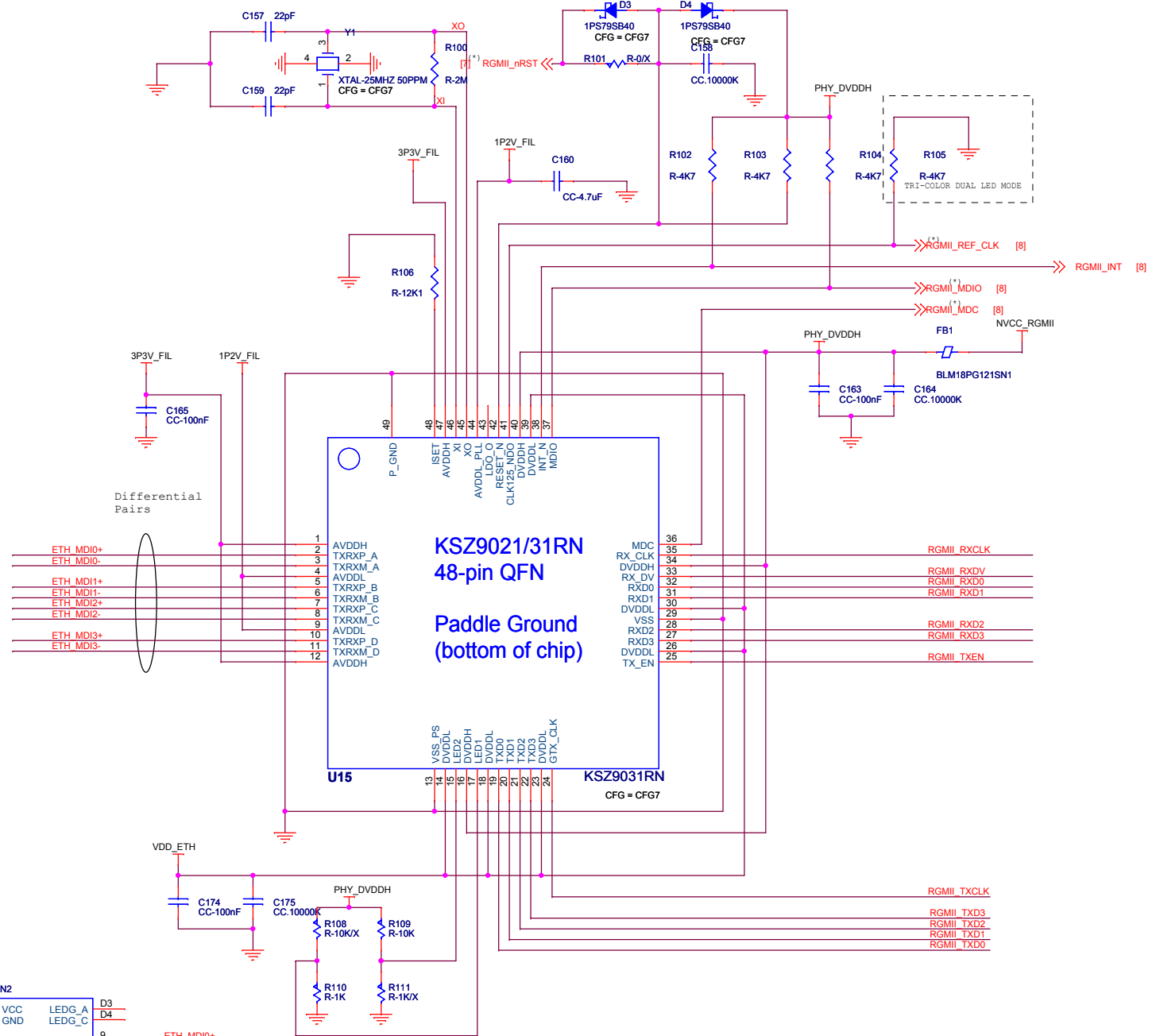
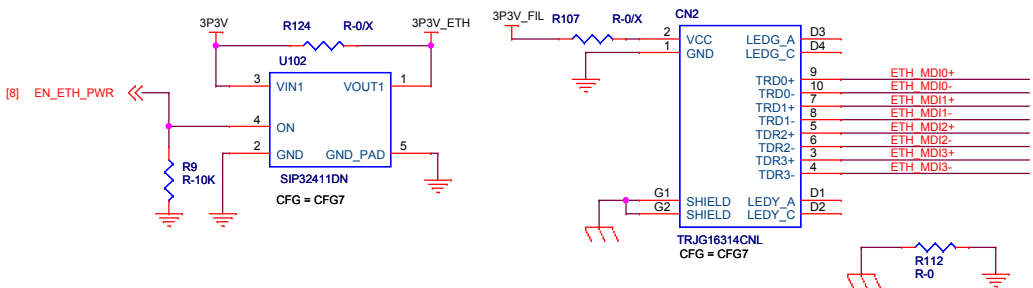
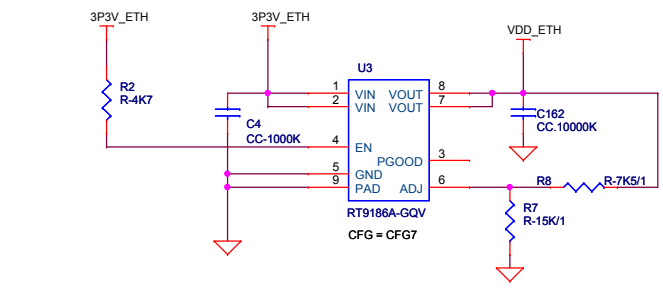
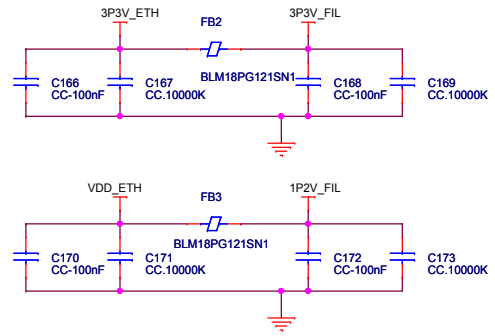
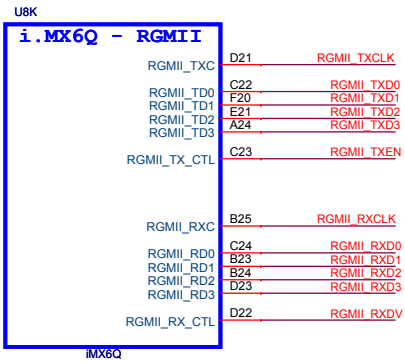
Schematic Title: **UDOO BOARD**

Page Name: **i.MX6Q - EIM/STRAP BOOT**

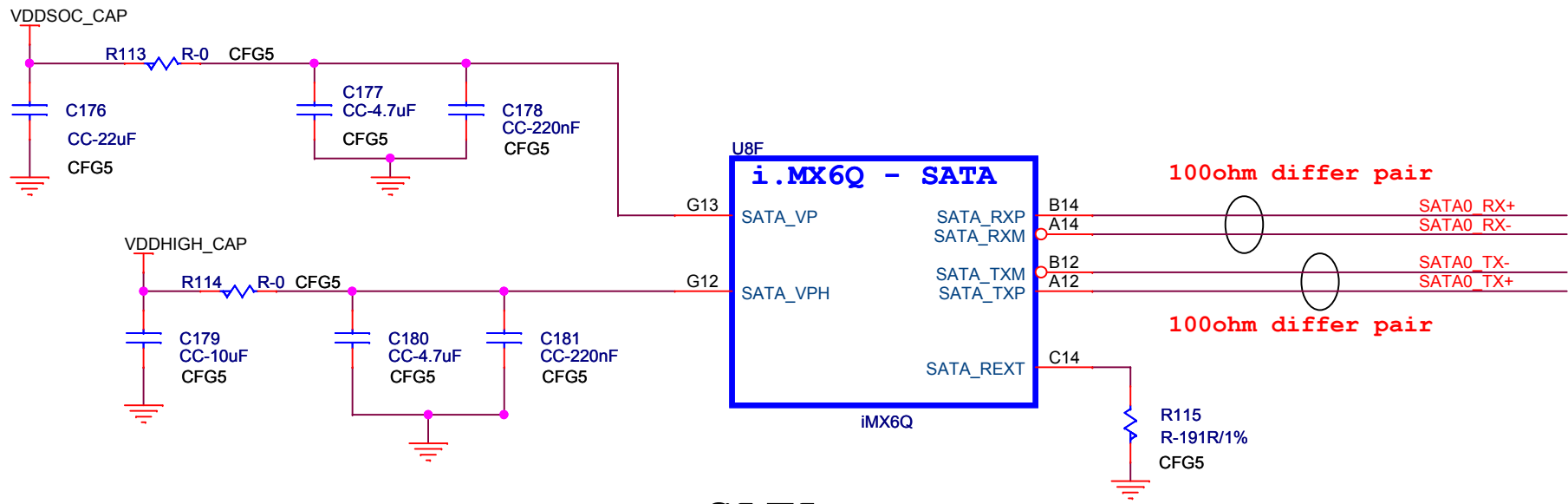
Rev: **D**

Date: **Monday, August 05, 2013**

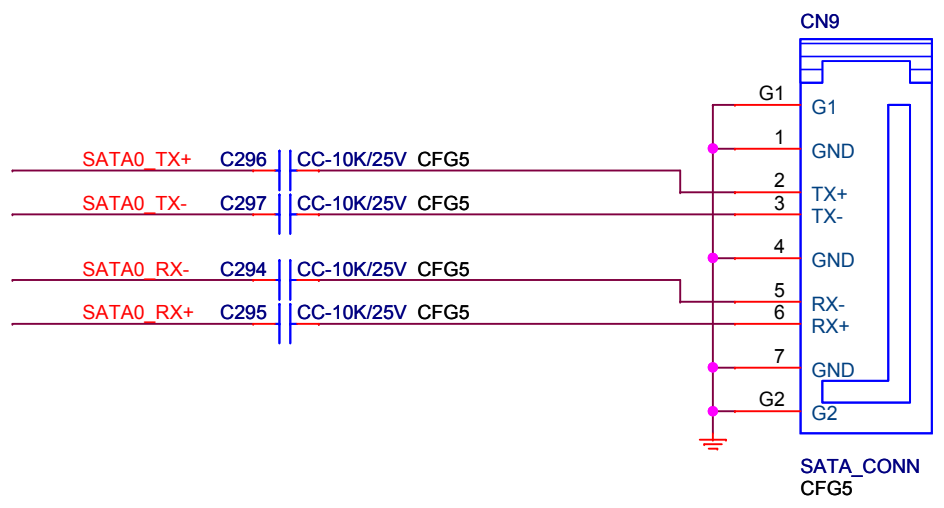
Sheet: **6** of **17**



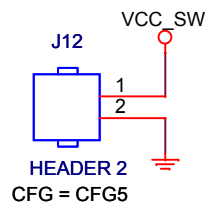
Schematic Title		UDOO BOARD		Created By		UDOO TEAM	
Size	A3	Page Name	i.MX6Q - RGMII/ETH PHY			Rev	D
Date:	Monday, August 05, 2013		Sheet	8		of 17	



SATA

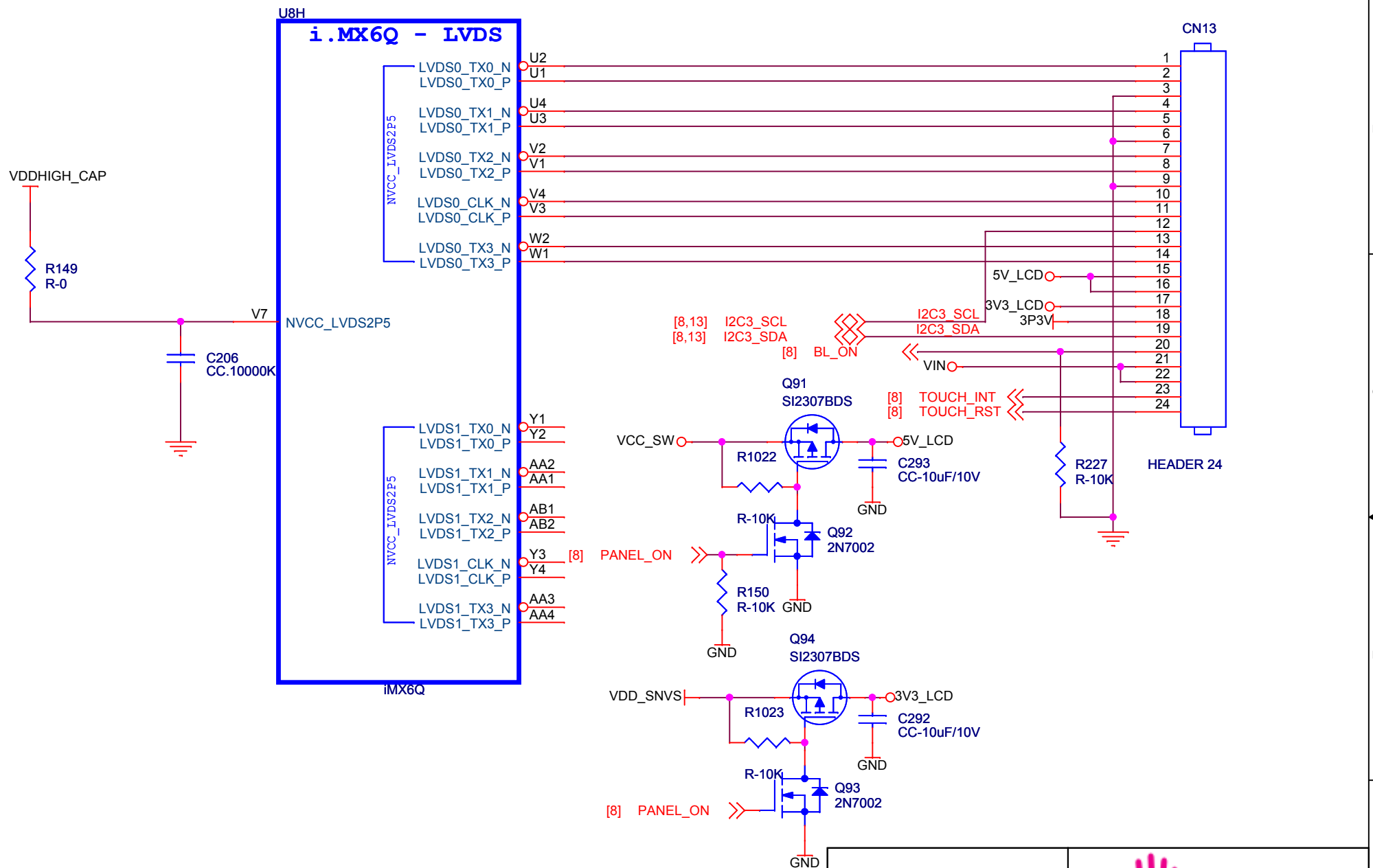


SATA PW



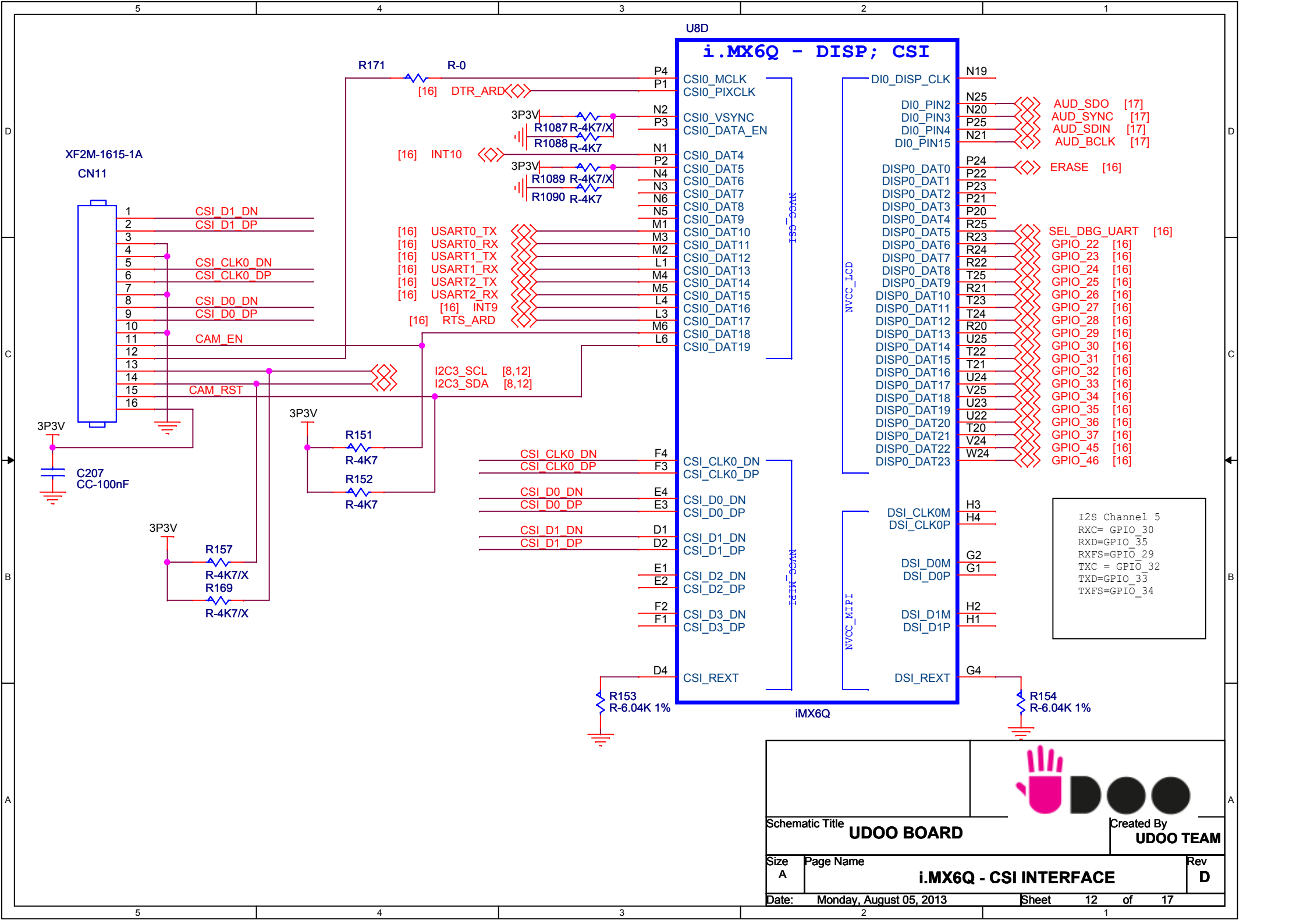
Schematic Title		UDOO BOARD		Created By		UDOO TEAM	
Size	Page Name			Rev			
A	SATA CONNECTOR			D			
Date:		Monday, August 05, 2013		Sheet		9 of 17	






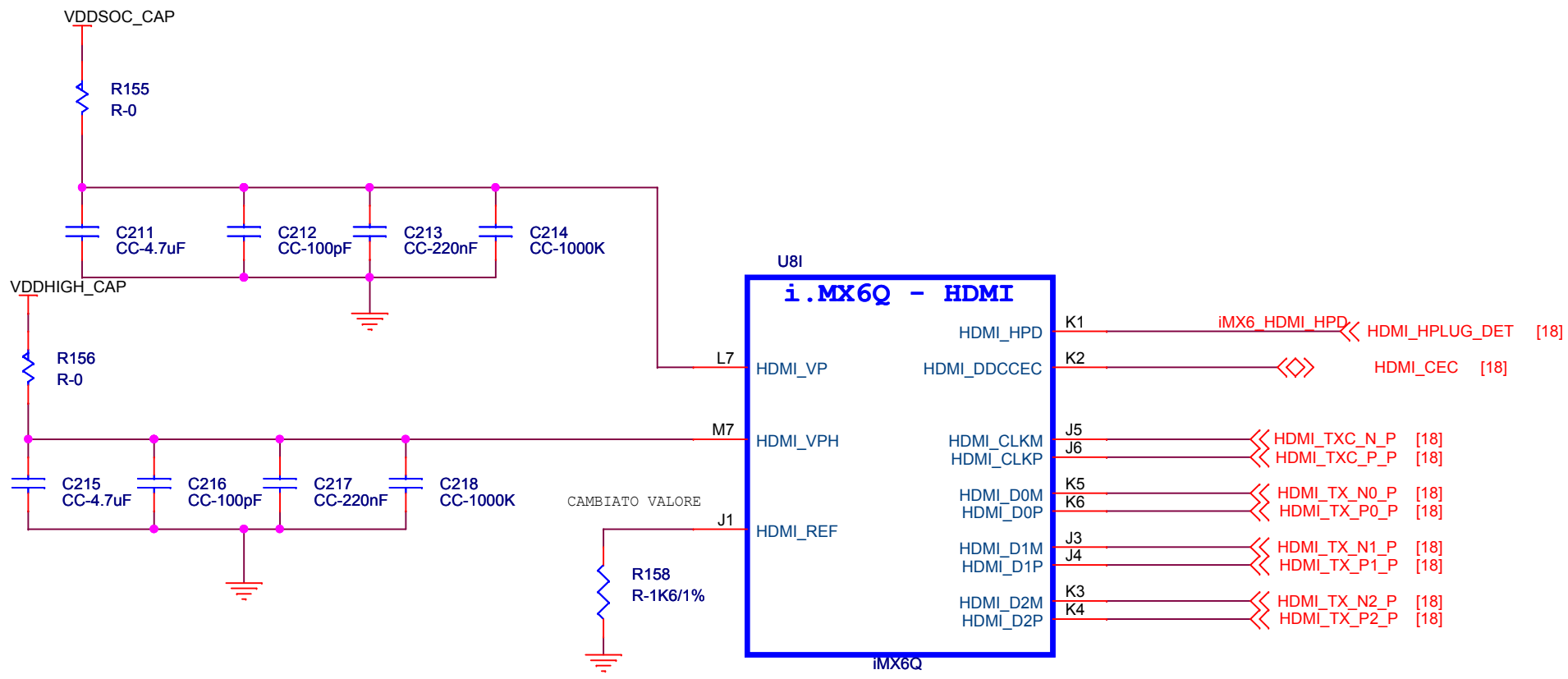
Schematic Title		UD00 BOARD		Created By		UD00 TEAM	
Size	Page Name	LVDS INTERFACE				Rev	D
A		Date: Monday, August 05, 2013				Sheet	11 of 17



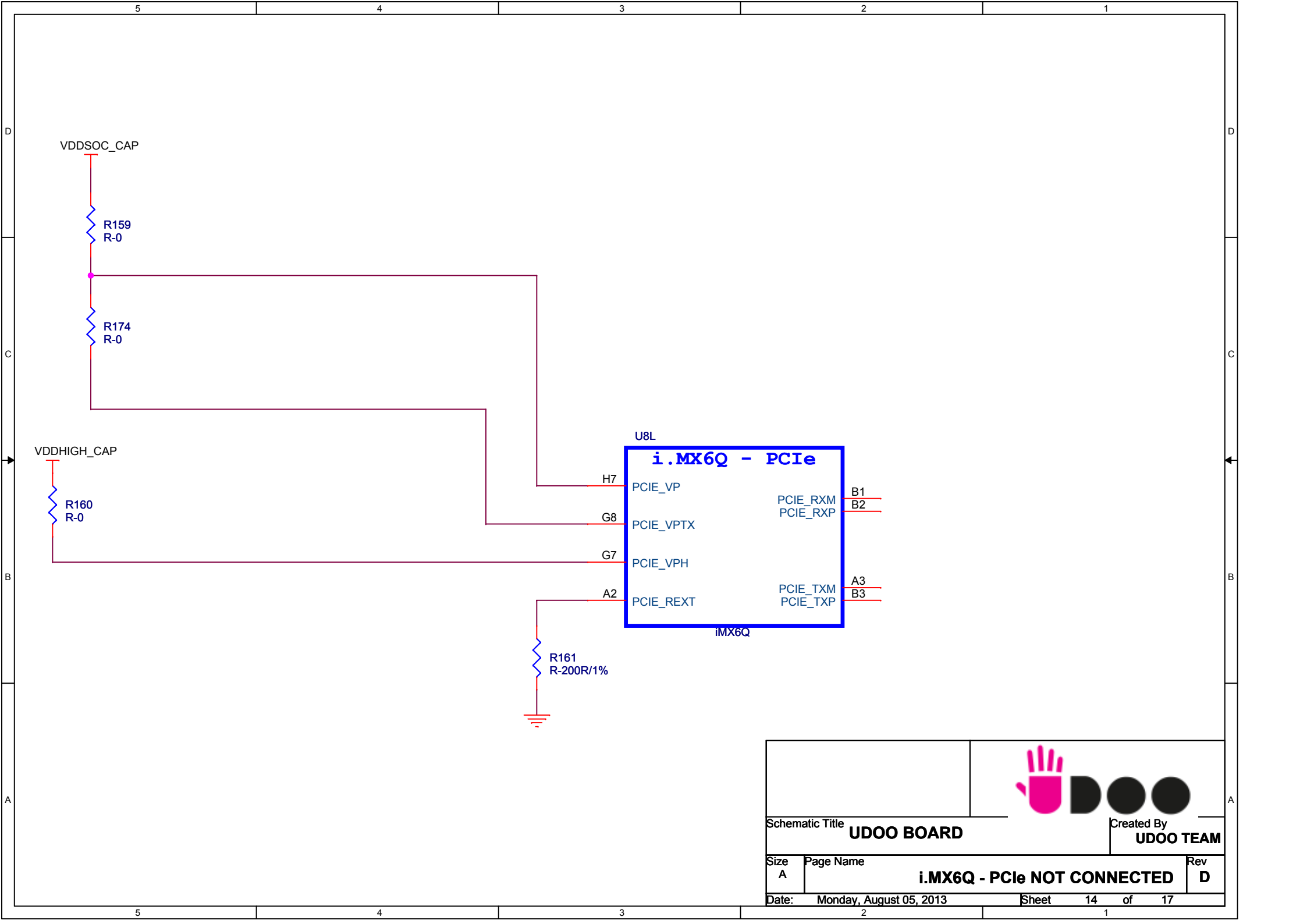





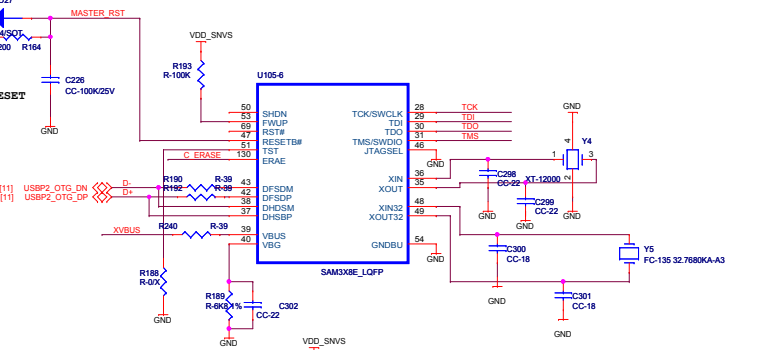
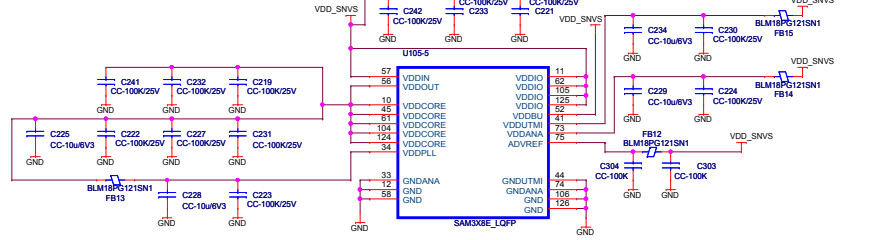
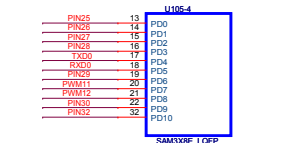
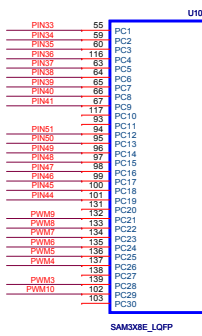
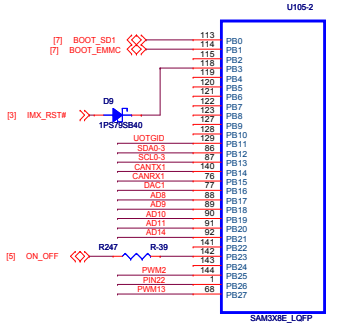
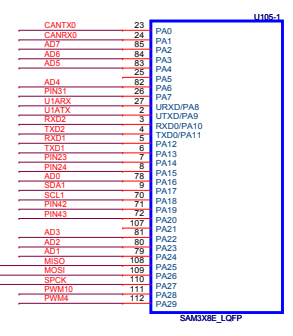
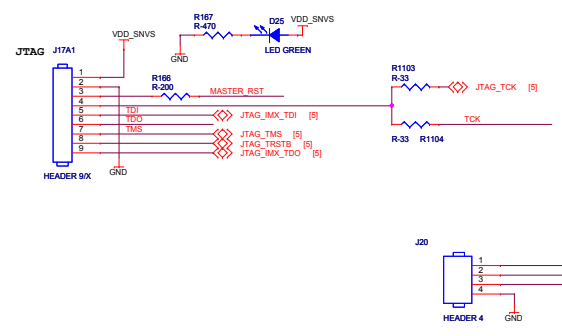
Schematic Title		Created By	
UDOO BOARD		UDOO TEAM	
Size	Page Name	Rev	
A	i.MX6Q - CSI INTERFACE	D	
Date:	Monday, August 05, 2013	Sheet	12 of 17



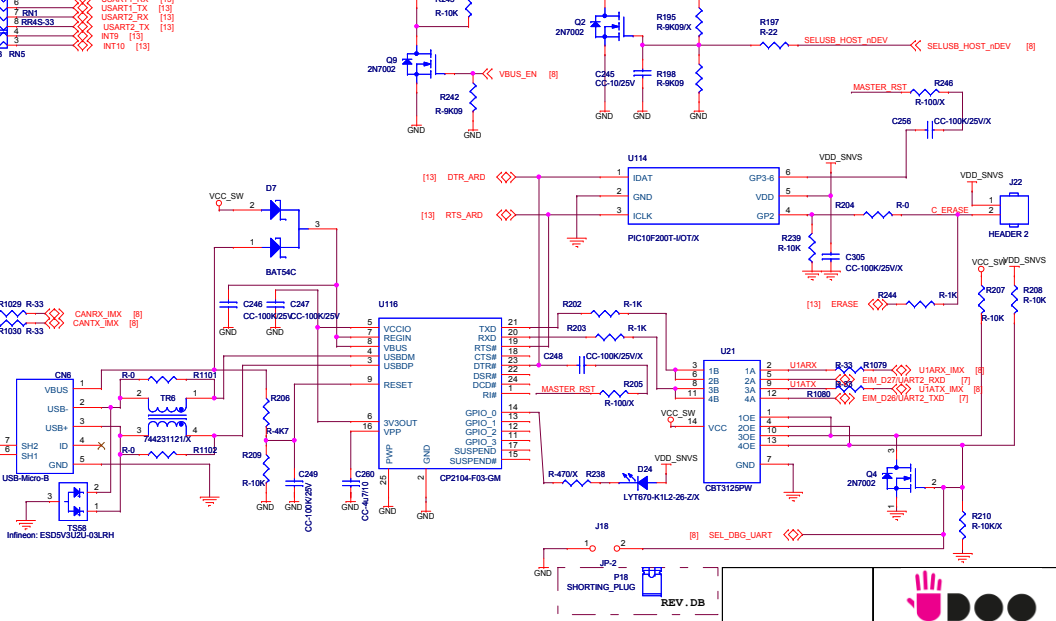
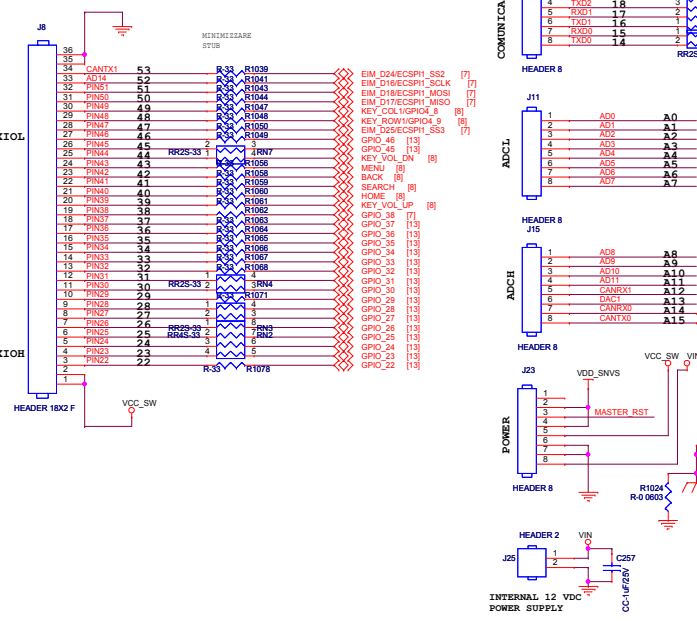
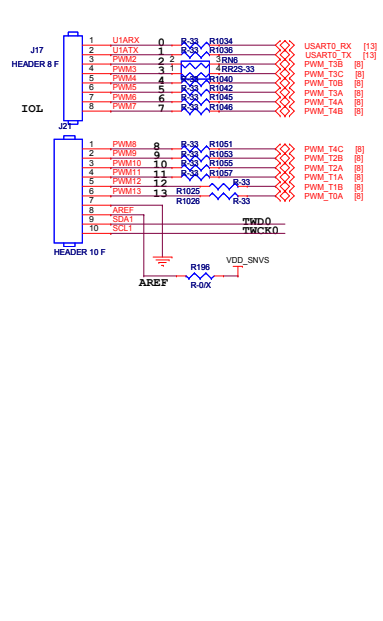
Schematic Title		UDOO BOARD	Created By UDOO TEAM
Size A	Page Name i.MX6Q - HDMI INTERFACE		Rev D
Date:	Monday, August 05, 2013	Sheet	13 of 17



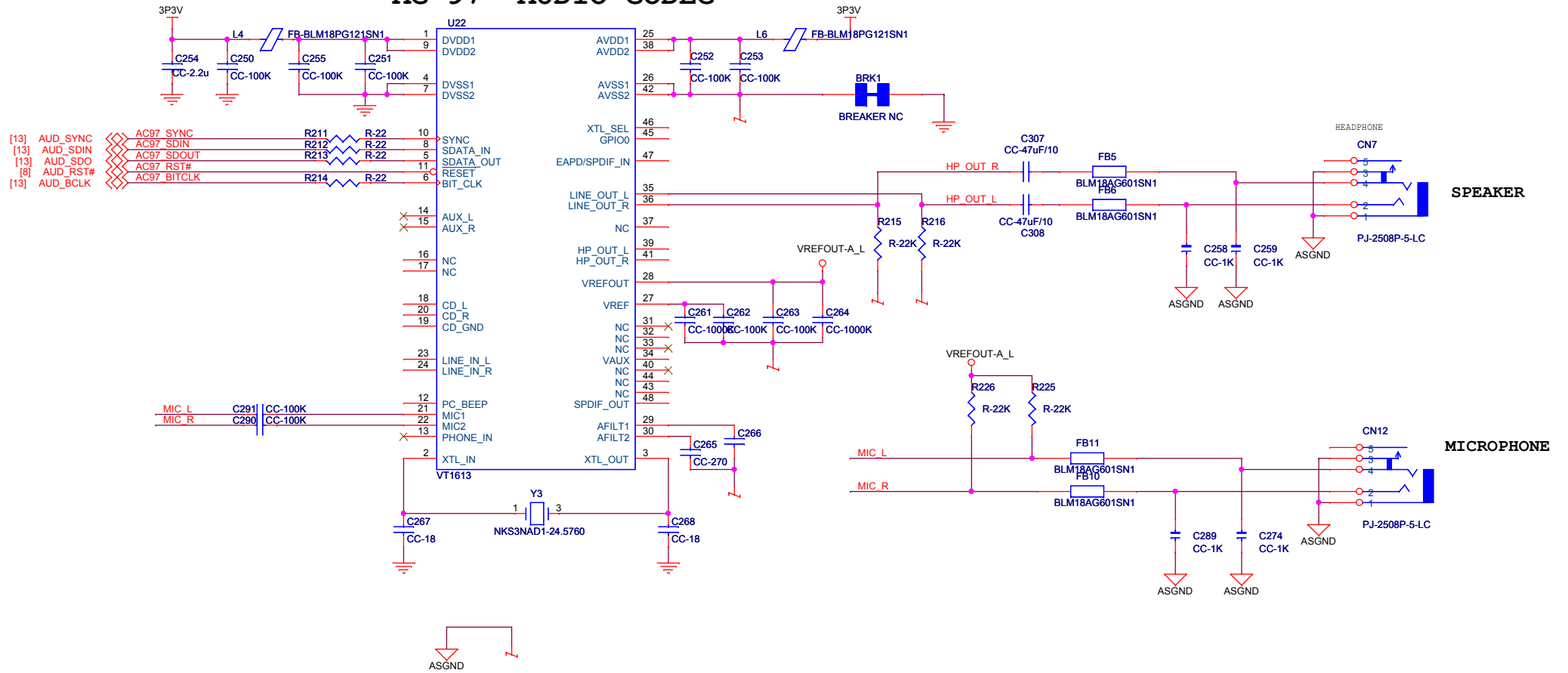
			
Schematic Title		UDOO BOARD	
		Created By UDOO TEAM	
Size A	Page Name	i.MX6Q - PCIe NOT CONNECTED	
Date:	Monday, August 05, 2013	Sheet	14 of 17
	2	1	



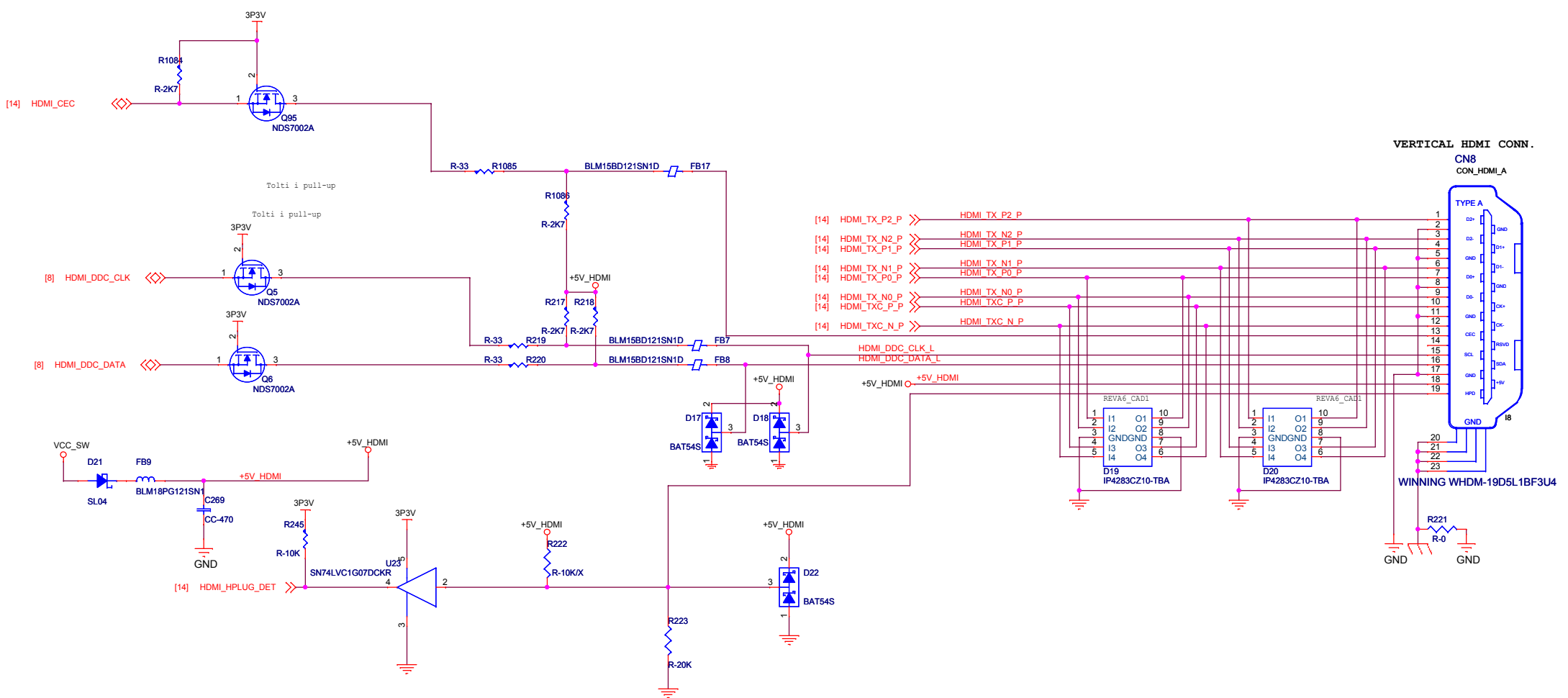
CONNETTORE 16X1 GRUPPO B



AC '97 AUDIO CODEC



Schematic Title		Created By	
UDOO BOARD		UDOO TEAM	
Size	Page Name	Rev	
B	AUDIO CODEC	D	
Date:	Monday, August 05, 2013	Sheet	16 of 17



- [14] HDMI_TX_P2_P >> HDMI TX P2 P
- [14] HDMI_TX_N2_P >> HDMI TX N2 P
- [14] HDMI_TX_P1_P >> HDMI TX P1 P
- [14] HDMI_TX_N1_P >> HDMI TX N1 P
- [14] HDMI_TX_P0_P >> HDMI TX P0 P
- [14] HDMI_TX_N0_P >> HDMI TX N0 P
- [14] HDMI_TXC_P_P >> HDMI TXC P P
- [14] HDMI_TXC_N_P >> HDMI TXC N P

